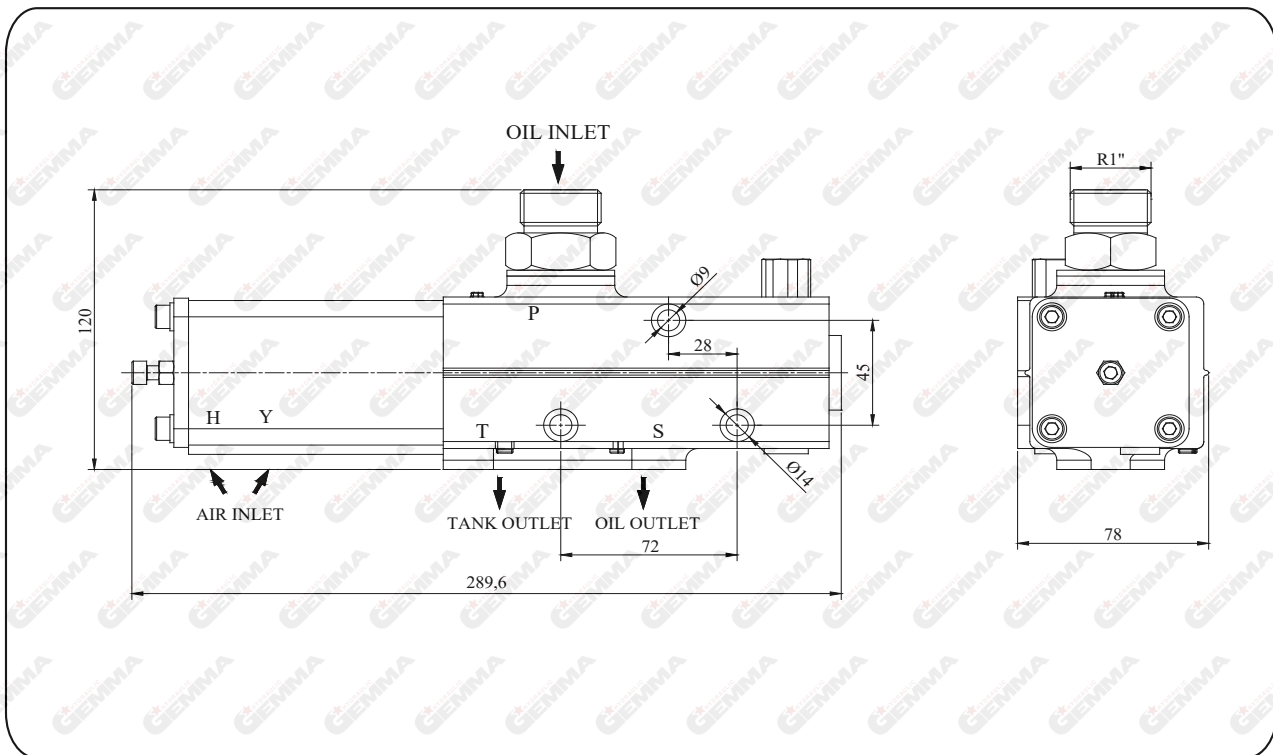
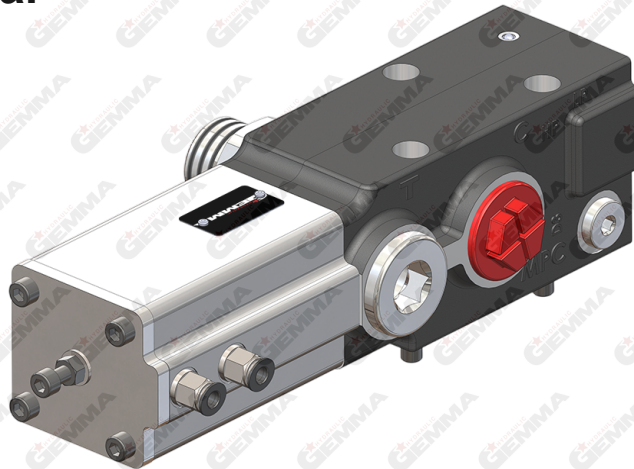


# 180 LT FIXED PRESSURE DISTRIBUTOR VALVE 190 Bar

360035190



VALVES  
VENTİLLER

HYDRAULIC EQUIPMENT  
HİDROLİK EKİPMANLAR

SPECIFICATIONS	
Cylinder connection	R 1"
Pump connection	R 1"
Tank connection	R 1"
Fast lower	R 1/8"
Slow lower	R 1/8"
Max.working pressure	190 bar
Max. Flow	220 L/dak
Oil Temperature Range	-20 & 80 °C
Weight	6,5 kg

