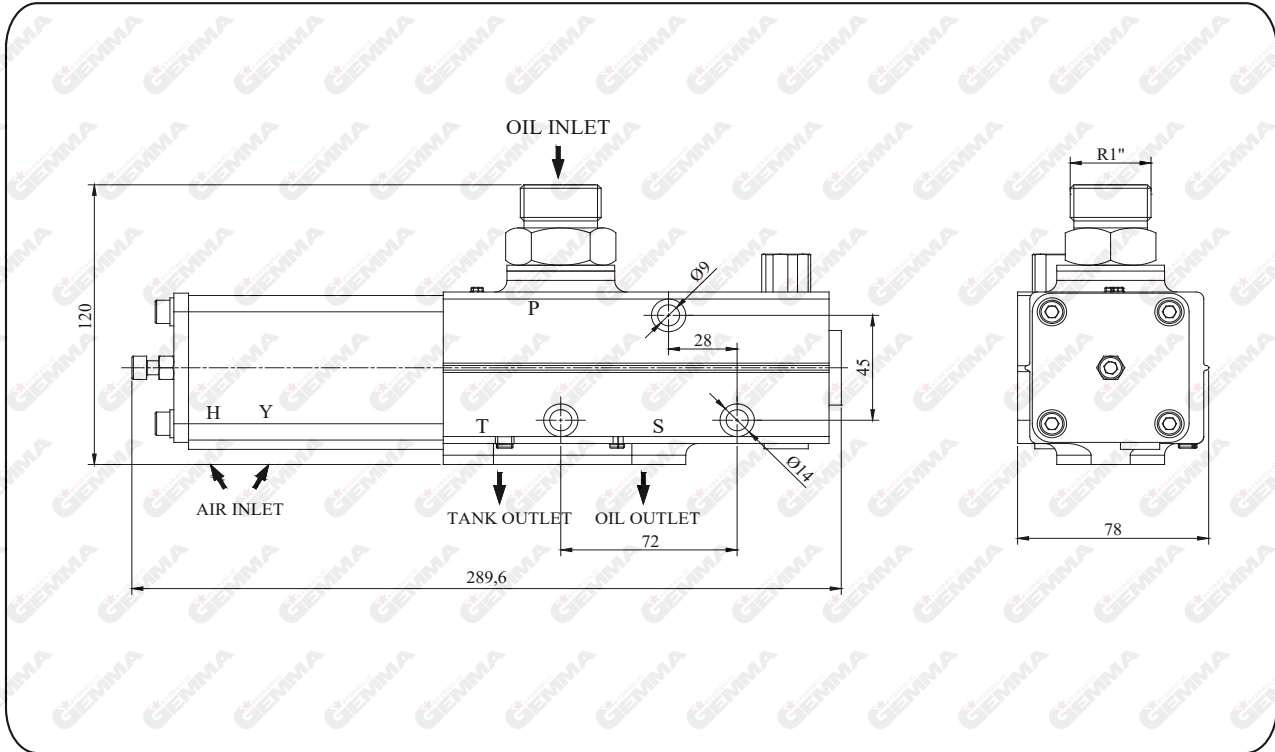
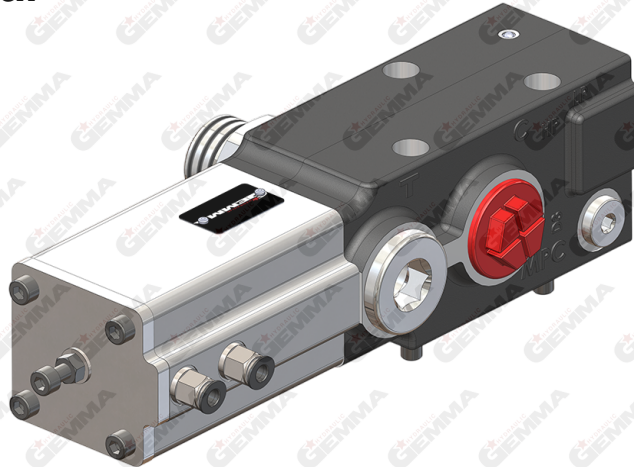


# 180 LT FIXED PRESSURE DISTRIBUTOR VALVE 220 Bar

360035220



| SPECIFICATIONS        |             |
|-----------------------|-------------|
| Cylinder connection   | R 1"        |
| Pump connection       | R 1"        |
| Tank connection       | R 1"        |
| Fast lower            | R 1/8"      |
| Slow lower            | R 1/8"      |
| Max.working pressure  | 220 bar     |
| Max. Flow             | 220 L/dak   |
| Oil Temperature Range | -20 & 80 °C |
| Weight                | 6,5 kg      |

