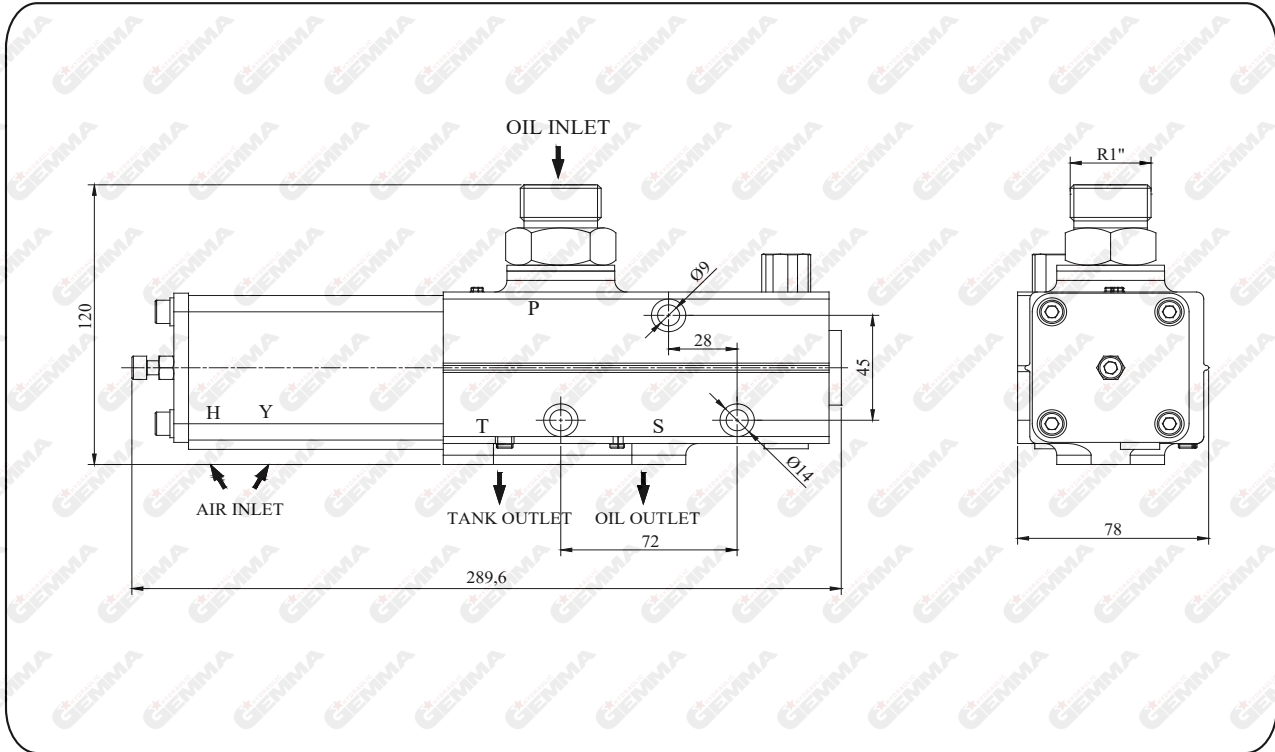
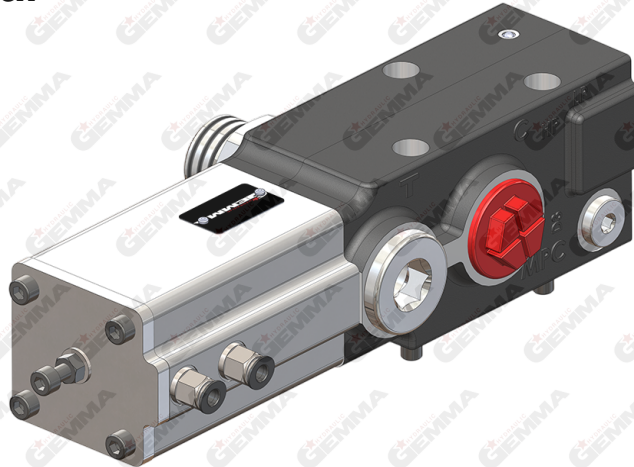


180 LT FIXED PRESSURE DISTRIBUTOR VALVE 250 Bar

360035250



SPECIFICATIONS	
Cylinder connection	R 1"
Pump connection	R 1"
Tank connection	R 1"
Fast lower	R 1/8"
Slow lower	R 1/8"
Max. working pressure	250 bar
Max. Flow	220 L/dak
Oil Temperature Range	-20 & 80 °C
Weight	6,5 kg

