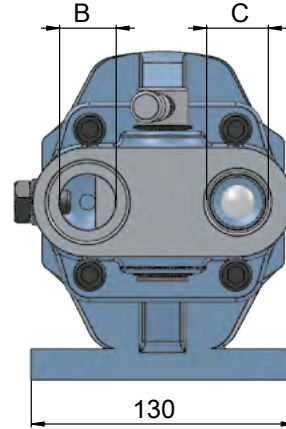
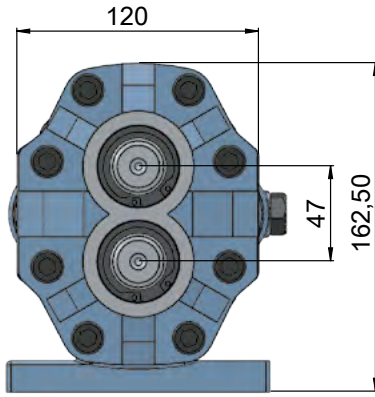
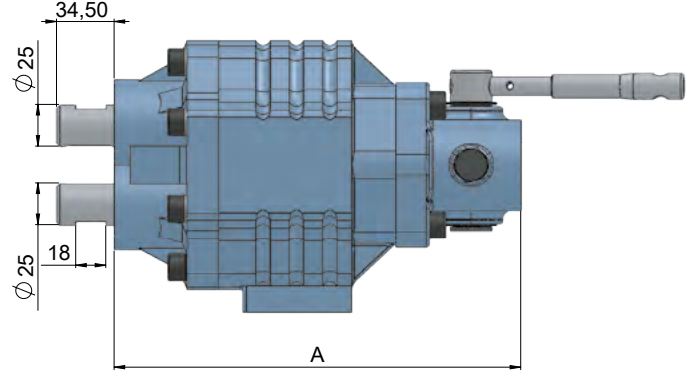


30 DPM MECHANIC VALVE BI-ROTATIONAL

30 DPM MEKANİK VENTİLLİ ÇİFT DÖNÜŞLÜ

30 SERIES GEAR PUMPS
30 SERİSİ DİŞLİ POMPA

HYDRAULIC PUMPS
HİDROLİK POMPALAR



| CODE KOD | ROTATION YÖN | DISPLACEMENT DEBİ (Lt/min) | A (mm) | INLET GİRİŞ (B) | OUTLET ÇIKIŞ (C) | Max. Continuous Pressure Max. Sürekli Basınç (Pnom) | Max. Peak Pressure Max. PİK Basınç (Pmax) |
|----------|--------------------|----------------------------|--------|-----------------|------------------|--|--|
| 33004371 | BI-ROTATIONAL-ÇİFT | 43 | 220 | R1 1/4"-11 | R1"-11 | 240 | 270 |
| 33006171 | BI-ROTATIONAL-ÇİFT | 61 | 230 | | | 210 | 240 |
| 33008271 | BI-ROTATIONAL-ÇİFT | 82 | 243 | | | 180 | 220 |