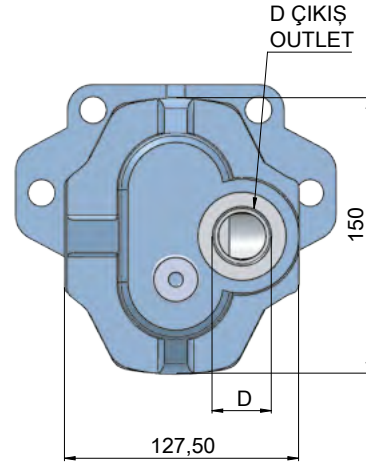
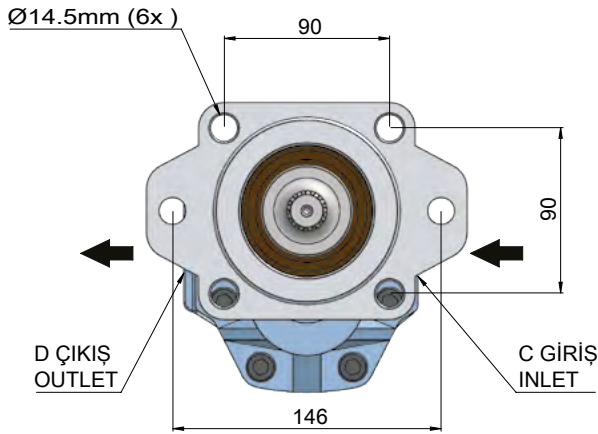
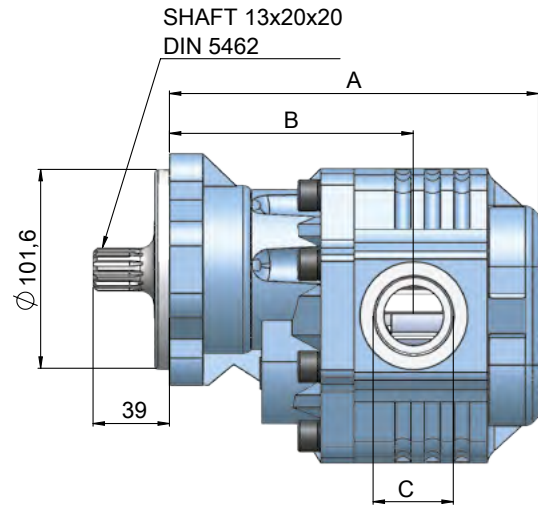


30 SAE B SERIES SINGLE ROTATIONAL 30 SAE B SERİSİ TEK DÖNÜŞLÜ



CODE KOD	ROTATION YÖN	DISPLACEMENT DEBİ (Lt/min)	A (mm)	B (mm)	INLET GİRİŞ (C)	OUTLET ÇIKIŞ (D)	Max. Continuous Pressure Max. Sürekli Basınç (Pnom)	Max. Peak Pressure Max. Pik Basınç (Pmax)
33001772	RIGHT/SAĞ	17	171	126	R1/2"-14	R1/2"-14	265	300
33001773	LEFT/SOL							
33002772	RIGHT/SAĞ	27	178	130	R3/4"-14	R3/4"-14	260	290
33002773	LEFT/SOL							
33003472	RIGHT/SAĞ	34	183	132	R1"-11	R1"-11	250	280
33003473	LEFT/SOL							
33004372	RIGHT/SAĞ	43	190	135	R1"-11	R1"-11	240	270
33004373	LEFT/SOL							
33005172	RIGHT/SAĞ	51	193	137	R1 1/4"-11	R1 1/4"-11	220	250
33005173	LEFT/SOL							
33006172	RIGHT/SAĞ	61	201	138	R1 1/4"-11	R1 1/4"-11	210	240
33006173	LEFT/SOL							
33008272	RIGHT/SAĞ	82	315	147	R1 1/4"-11	R1 1/4"-11	180	220
33008273	LEFT/SOL							