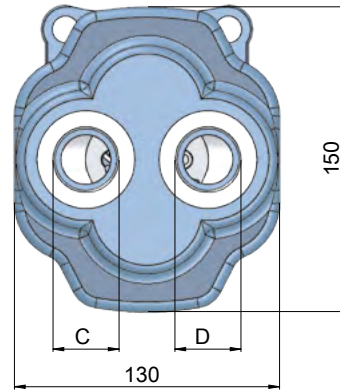
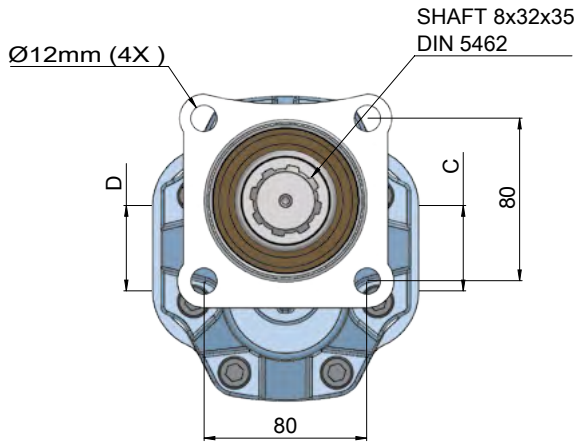
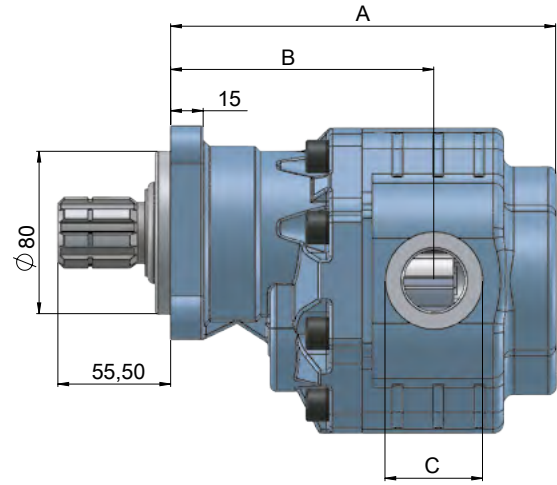


30 BI-ROTATIONAL ISO 4 PORTS

30 ÇİFT DÖNÜŞLÜ ISO 4 PORTLU



CODE KOD	ROTATION YÖN	DISPLACEMENT DEBİ (Lt/min)	A (mm)	B (mm)	INLET GİRİŞ (C)	OUTLET ÇIKIŞ (D)	Max. Continuous Pressure Max. Sürekli Basınç (Pnom)	Max. Peak Pressure Max. Pik Basınç (Pmax)
33003451	BI-ROTATIONAL-ÇİFT	34	185	132	R3/4"-14	R3/4"-14	250	280
33004351	BI-ROTATIONAL-ÇİFT	43	193	135			240	270
33005151	BI-ROTATIONAL-ÇİFT	51	196	137	R1"-14	R1"-14	220	250
33006151	BI-ROTATIONAL-ÇİFT	61	202	138			210	240
33008251	BI-ROTATIONAL-ÇİFT	82	212	147			180	220