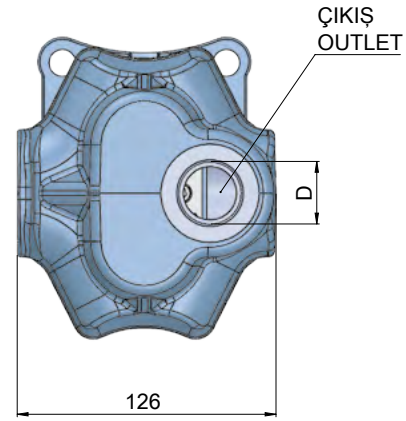
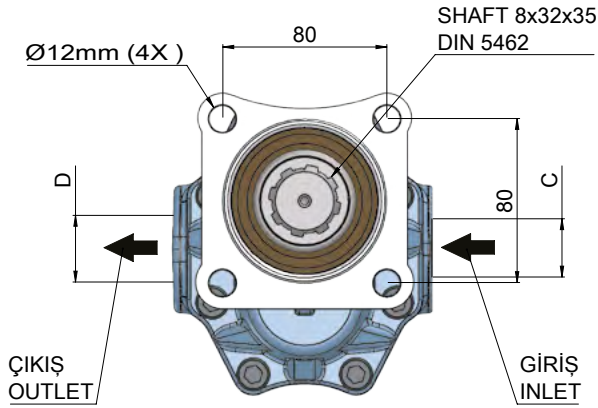
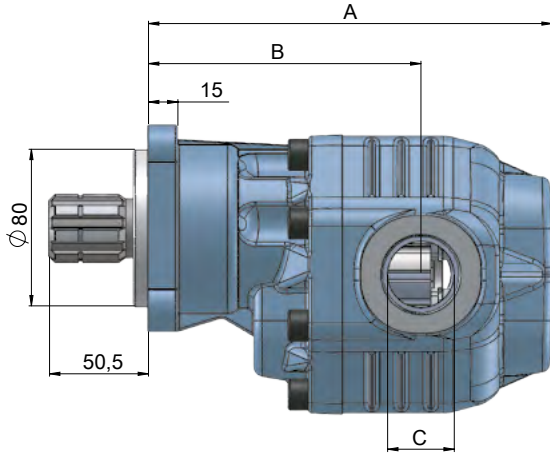


30 SINGLE ROTATION ISO

30 TEK DÖNÜŞLÜ ISO



POMPA KODU PUMP CODES	ROTATION YÖN	DISPLACEMENT DEBİ (Lt/min)	A (mm)	B (mm)	INLET GİRİŞ (C)	OUTLET ÇIKIŞ (D)	Max. Continuous Pressure Max. Sürekli Basınç (Pnom)	Max. Peak Pressure Max. Pik Basınç (Pmax)
33001731	RIGHT/SAĞ	17	201	126	R1/2"-14	R1/2"-14	265	300
33001732	LEFT/SOL							
33002731	RIGHT/SAĞ	27	208	130	R3/4"-14	R3/4"-14	260	290
33002732	LEFT/SOL							
33003431	RIGHT/SAĞ	34	183	132	R1"-11	R3/4"-14	250	280
33003432	LEFT/SOL							
33004331	RIGHT/SAĞ	43	190	135	R1"-11	R1"-11	240	270
33004332	LEFT/SOL							
33005131	RIGHT/SAĞ	51	193	137	R1 1/4"-11	R1"-11	220	250
33005132	LEFT/SOL							
33006131	RIGHT/SAĞ	61	201	138	R1 1/4"-11	R1"-11	210	240
33006132	LEFT/SOL							
33008231	RIGHT/SAĞ	82	315	147	R1 1/4"-11	R1"-11	180	220
33008232	LEFT/SOL							

30 SERIES GEAR PUMPS
30 SERİSİ DİŞLİ POMPA

HYDRAULIC PUMPS
HİDROLİK POMPA