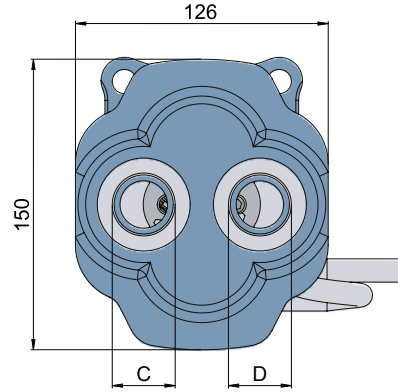
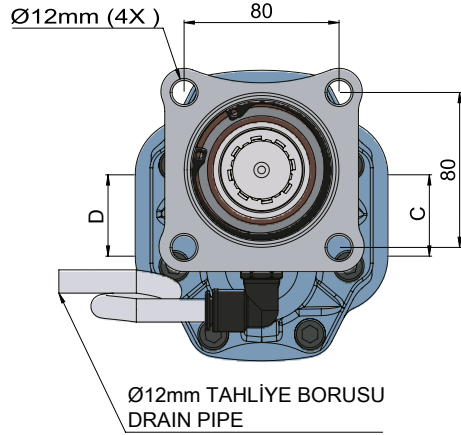
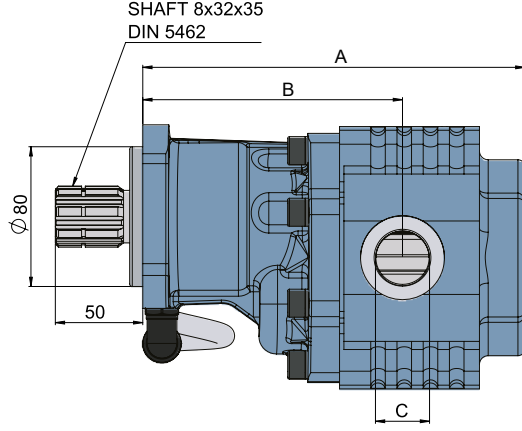


## 30 PF SERIES BI-ROTATIONAL ISO

30 PF SERİSİ ÇİFT DÖNÜŞLÜ ISO



CODE KOD	ROTATION YÖN	DISPLACEMENT DEBİ (Lt/min)	A (mm)	B (mm)	INLET GİRİŞ (C)	OUTLET ÇIKIŞ (D)	Max. Continuous Pressure Max. Sürekli Basınç (Pnom)	Max. Peak Pressure Max. Pık Basınç (Pmax)
PF33003451	BI-ROTATIONAL-ÇİFT	34	199	146	R3/4"-14	R3/4"-14	250	280
PF33004351	BI-ROTATIONAL-ÇİFT	43	207	149			240	270
PF33005151	BI-ROTATIONAL-ÇİFT	51	210	151	R1"-14	R1"-14	220	250
PF33006151	BI-ROTATIONAL-ÇİFT	61	216	152			210	240
PF33008251	BI-ROTATIONAL-ÇİFT	82	226	161			180	220