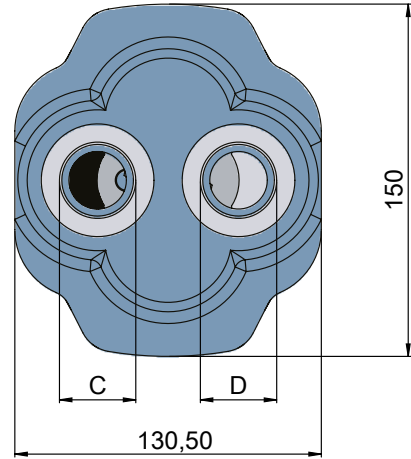
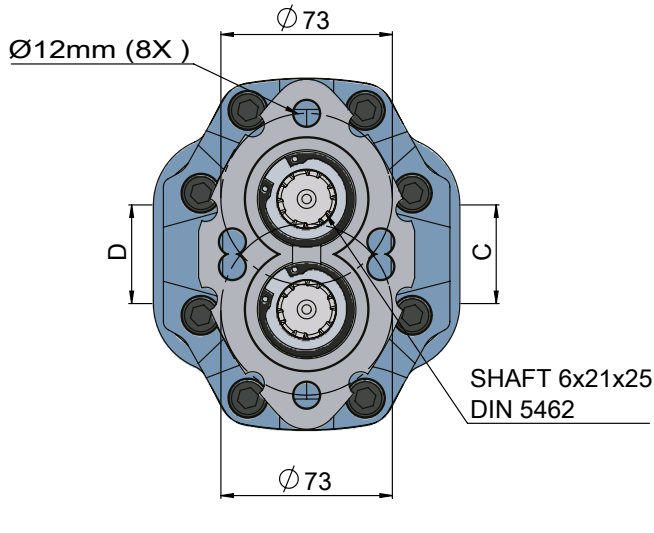
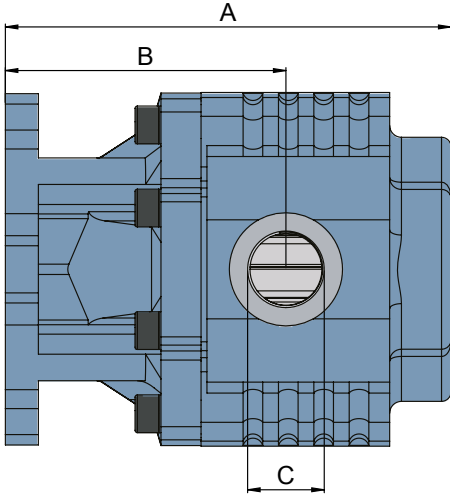


30 T2 SERIES BI-ROTATIONAL

30 T2 SERİSİ ÇİFT DÖNÜŞLÜ



CODE KOD	ROTATION YÖN	DISPLACEMENT DEBİ (L/min)	A (mm)	B (mm)	INLET GİRİŞ (C)	OUTLET ÇIKIŞ (D)	Max. Continuous Pressure Max. Sürekli Basınç (Pnom)	Max. Peak Pressure Max. PİK Basınç (Pmax)
33001723	BI-ROTATIONAL-ÇİFT	17	147,5	102,5	R1/2"-14	R1/2"-14	265	300
33002723	BI-ROTATIONAL-ÇİFT	27	154,5	106,5	R3/4"-14	R3/4"-14	260	290
33003423	BI-ROTATIONAL-ÇİFT	34	159,5	108,5			250	280
33004323	BI-ROTATIONAL-ÇİFT	43	166,5	111,5	R1"-11	R1"-11	240	270
33005123	BI-ROTATIONAL-ÇİFT	51	169,5	113,5			220	250
33006123	BI-ROTATIONAL-ÇİFT	61	177,5	114,5	R1 1/4"-11	R1"-11	210	240
33008223	BI-ROTATIONAL-ÇİFT	82	291,5	123,5			180	220

30 SERIES GEAR PUMPS
30 SERİSİ DİŞLİ POMPA

HYDRAULIC PUMPS
HİDROLİK POMPA