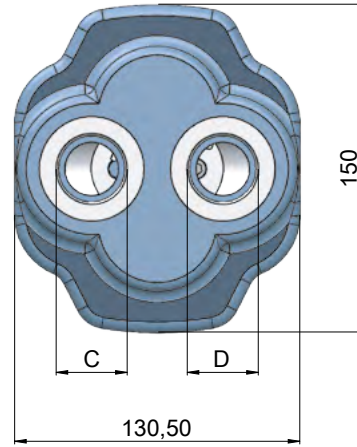
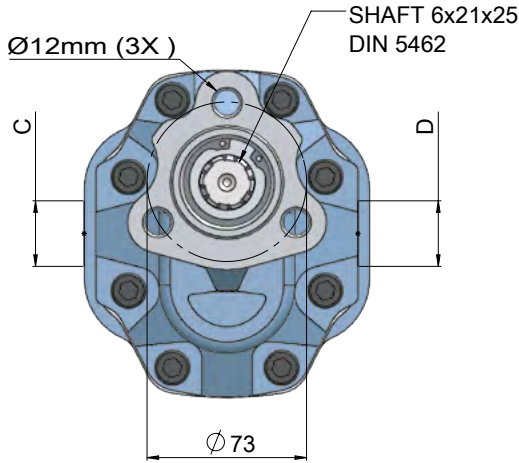
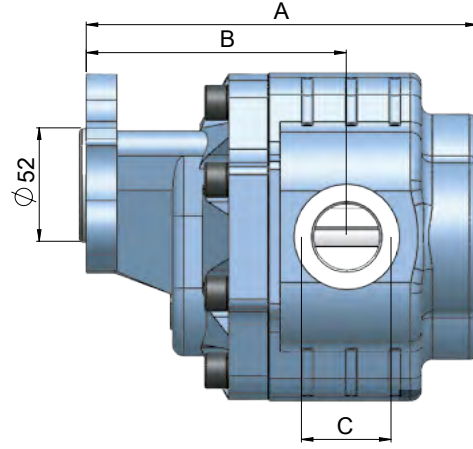


30 BI-ROTATIONAL UNI 4 PORTS

30 ÇİFT DÖNÜŞLÜ UNI 4 PORTLU



CODE KOD	ROTATION YÖN	DISPLACEMENT DEBİ (Lt/min)	A (mm)	B (mm)	INLET GİRİŞ (C)	OUTLET ÇIKIŞ (D)	Max. Continuous Pressure Max. Sürekli Basınç (Pnom)	Max. Peak Pressure Max. Pik Basınç (Pmax)
33003441	BI-ROTATIONAL-ÇİFT	34	178	125	R3/4"-14	R3/4"-14	250	280
33004341	BI-ROTATIONAL-ÇİFT	43	186	128			240	270
33005141	BI-ROTATIONAL-ÇİFT	51	189	130	R1"-14	R1"-14	220	250
33006141	BI-ROTATIONAL-ÇİFT	61	195	131			210	240
33008241	BI-ROTATIONAL-ÇİFT	82	205	140			180	220