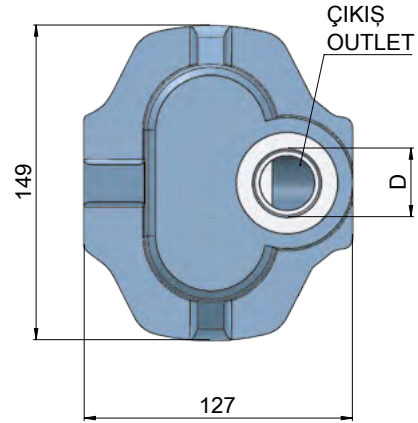
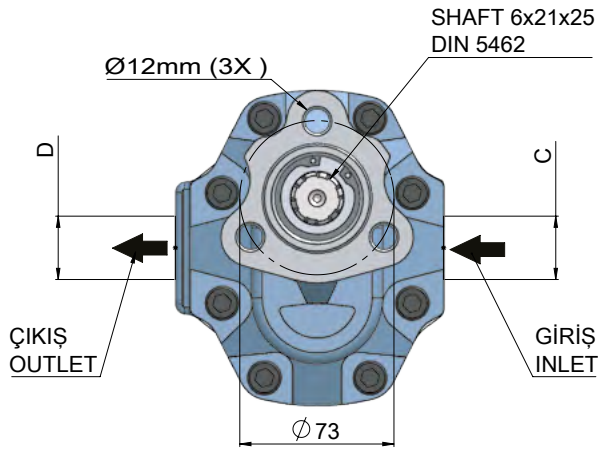
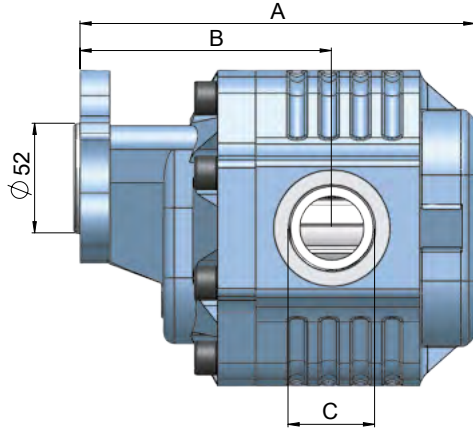


30 SINGLE ROTATIONAL UNI

30 TEK DÖNÜŞLÜ UNI



30 SERIES GEAR PUMPS
30 SERİSİ DİŞLİ POMPA

HYDRAULIC PUMPS
HİDROLİK POMPA

CODE KOD	ROTATION YÖN	DISPLACEMENT DEBİ (Lt/min)	A (mm)	B (mm)	INLET GİRİŞ (C)	OUTLET ÇIKIŞ (D)	Max. Continuous Pressure Max. Sürekli Basınç (P _{nom})	Max. Peak Pressure Max. Pik Basınç (P _{max})
33001711	RIGHT/SAĞ	17	150,5	105,5	R1/2"-14	R1/2"-14	265	300
33001712	LEFT/SOL							
33002711	RIGHT/SAĞ	27	157,5	109,5	R3/4"-14	R3/4"-14	260	290
33002712	LEFT/SOL							
33003411	RIGHT/SAĞ	34	162,5	111,5	R1"-11	R3/4"-14	250	280
33003412	LEFT/SOL							
33004311	RIGHT/SAĞ	43	169,5	114,5	R1"-11	R1"-11	240	270
33004312	LEFT/SOL							
33005111	RIGHT/SAĞ	51	172,5	116,5	R1 1/4"-11	R1"-11	220	250
33005112	LEFT/SOL							
33006111	RIGHT/SAĞ	61	180,5	117,5	R1 1/4"-11	R1"-11	210	240
33006112	LEFT/SOL							
33008211	RIGHT/SAĞ	82	294,5	126,5	R1 1/4"-11	R1"-11	180	220
33008212	LEFT/SOL							