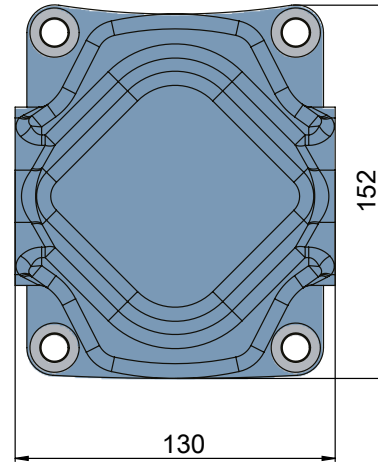
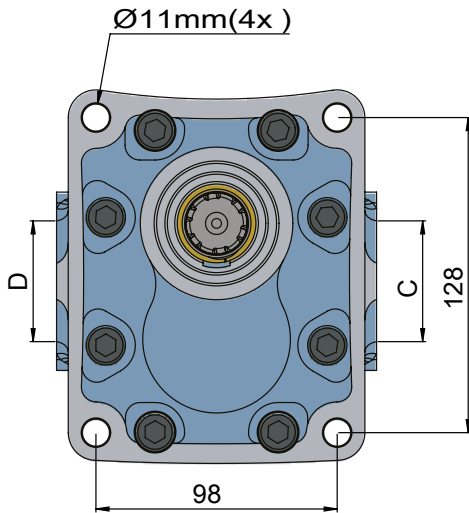
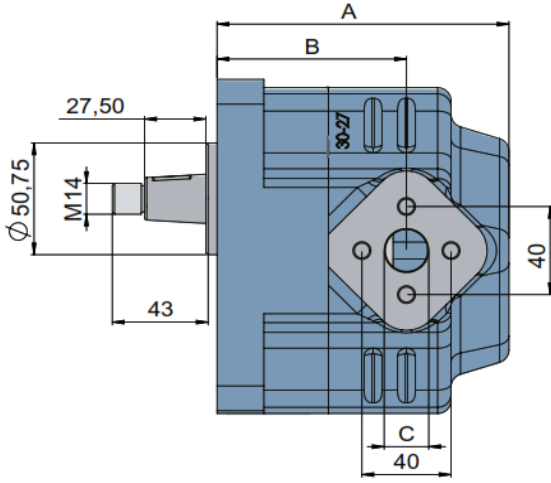


## 30 K SERIES CONICAL SHAFT

30 K SERİSİ KONİK MİL



CODE KOD	ROTATION YÖN	DISPLACEMENT DEBİ (Lt/min)	A (mm)	B (mm)	INLET GİRİŞ (C)	OUTLET ÇIKIŞ (D)	Max. Continuous Pressure Max. Sürekli Basınç (Pnom)	Max. Peak Pressure Max. Pik Basınç (Pmax)
33601711	RIGHT/SAĞ	17	125	79	Ø27-M10x4	Ø19-M8x4	265	300
33601712	LEFT/SOL							
33602711	RIGHT/SAĞ	27	131	85			260	290
33602712	LEFT/SOL							
33603411	RIGHT/SAĞ	34	136	90			250	280
33603412	LEFT/SOL							
33604311	RIGHT/SAĞ	43	142	96			240	270
33604312	LEFT/SOL							
33605111	RIGHT/SAĞ	51	147	101			220	250
33605112	LEFT/SOL							
33606111	RIGHT/SAĞ	61	152	106	210	240		
33606112	LEFT/SOL							

30 SERIES GEAR PUMPS  
30 SERİSİ DİŞLİ POMPA

HYDRAULIC PUMPS  
HİDROLİK POMPAALAR