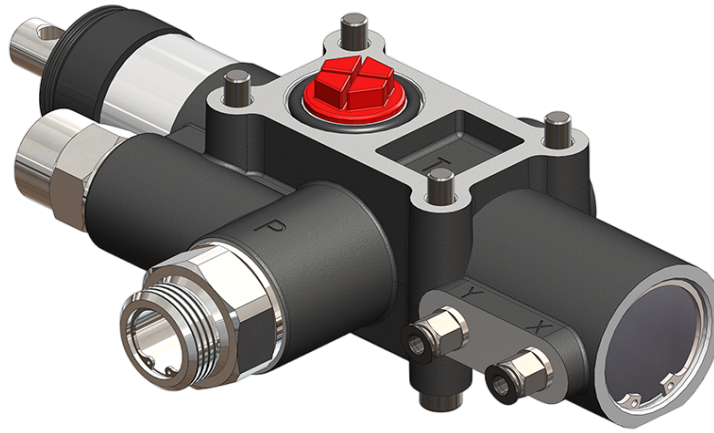


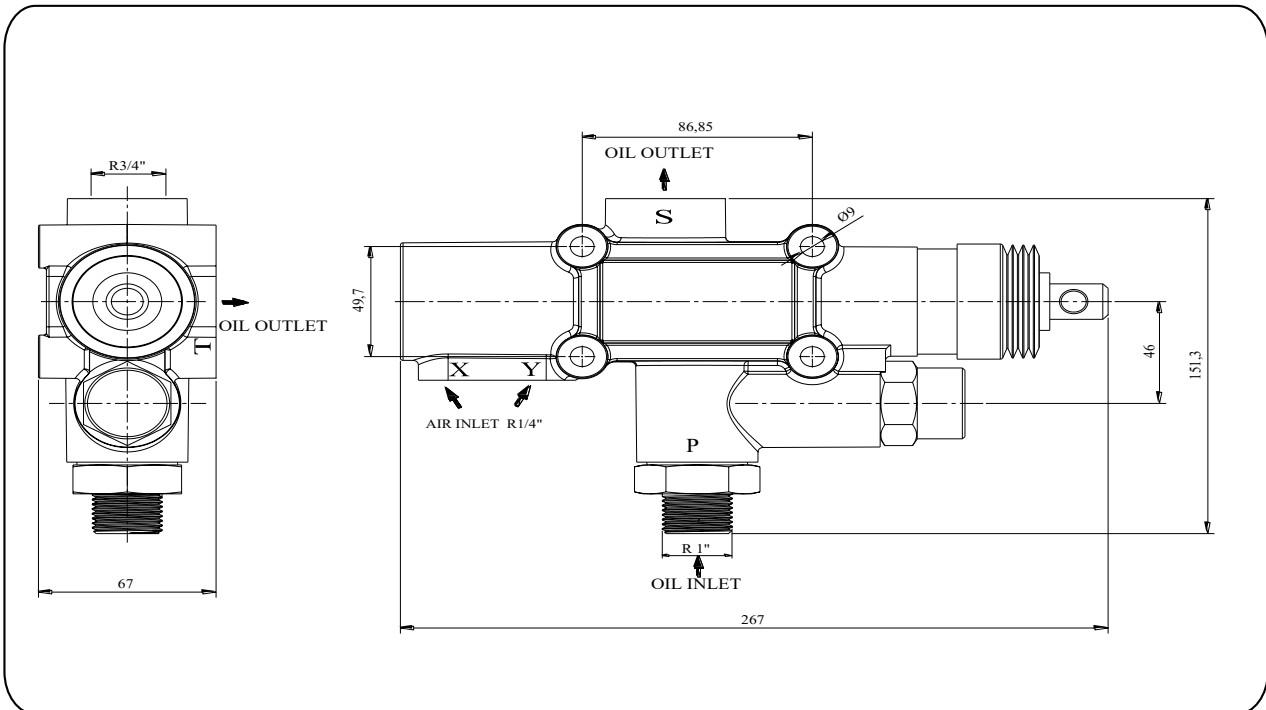
DIRECTIONAL VALVE

36001030



VALVES
VENTILLER

HYDRAULIC EQUIPMENT
HIDROLİK EKİPMANLAR



SPECIFICATIONS	
Cylinder connection	R 3/4"
Pump connection	R 1"
Tank connection	R 3/4"
Cylinder lowering	R 1/4"
Cylinder tipping	R 1/4"
Max. working pressure	190 bar
Max. Flow	140 L/dak
Oil Temperature Range	-20 & 80 °C
Weight	4,6 kg

