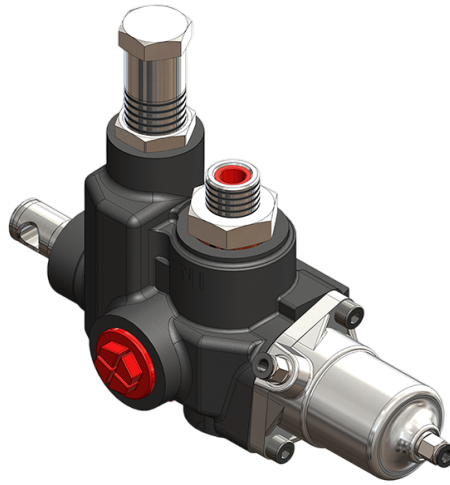


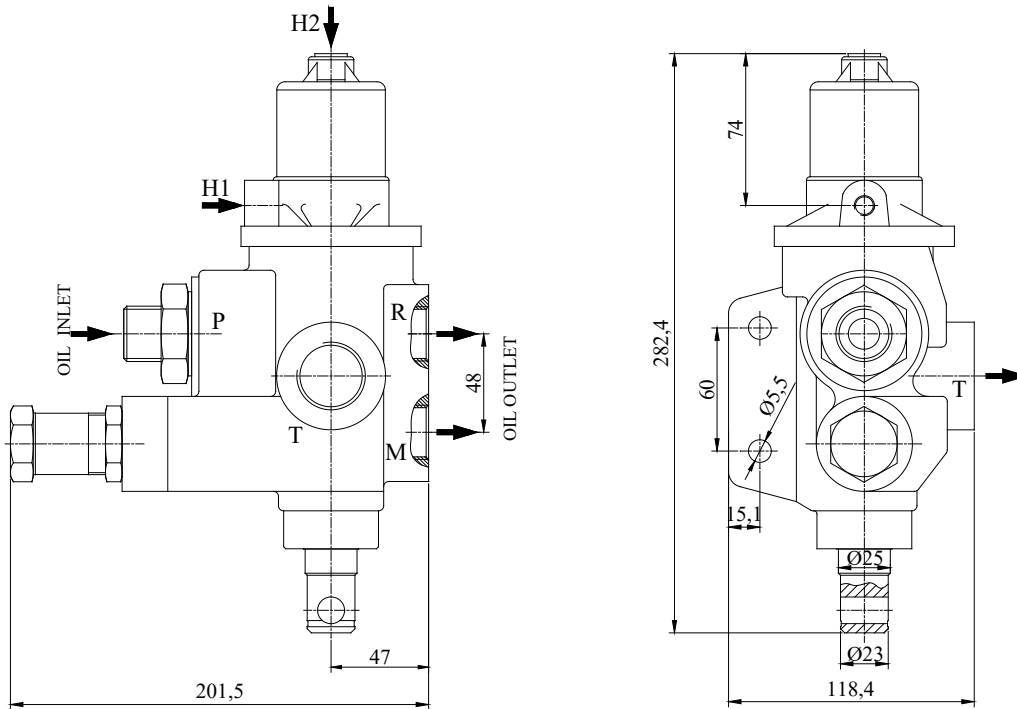
# TRAILER TYPE DIRECTIONAL VALVE

36001050



VALVES  
VENTİLLER

HYDRAULIC EQUIPMENT  
HİDROLİK EKİPMANLAR



SPECIFICATIONS	
P - Pump Connection	R 1"
M - 1. Cylinder Connection	R 3/4"
R - 2. Cylinder Connection	R 3/4"
T - Tank Connection	R 1"
H1 - Lower	R 1/8"
H2 - 2.Cylinder lower	R 1/8"
Max.Working Pressure	190 bar
Max.Flow	140 L/dak
Oil Temperature Range	-20 & 80 °C
Weight	7 kg

