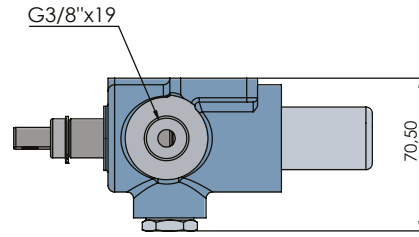
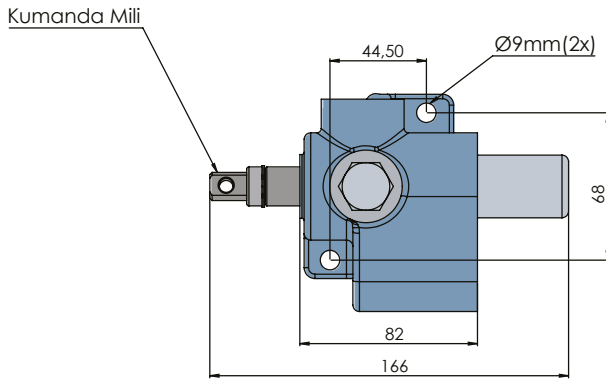
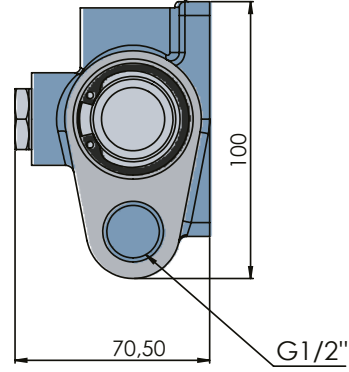


OPEN-LOOP LIMIT CONTROL VALVE (3/4"-1")

SINIR KONTROL VALFİ AÇIK (3/4"-1")



36001520, 36001521



VALVES
VENTİLLER

HYDRAULIC EQUIPMENT
HİDROLİK EKİPMANLAR

CLOSED-LOOP LIMIT CONTROL VALVE (3/4"-1")

SINIR KONTROL VALFİ KAPALI (3/4"-1")



36001510, 36001511

Ø10,50mm(2x)

