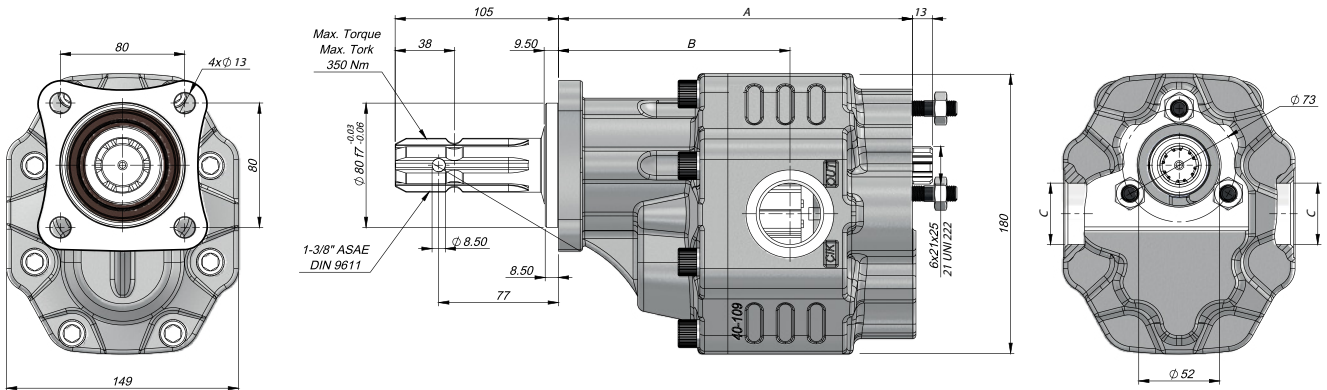


# 40 SERIE TANDEM GEAR PUMPS ASAE LONG SHAFT

## 40 SERİ TANDEM ASAE UZUN MİL DİŞLİ POMPALAR



Inlet Pressure	0.3÷ 2 bar		
Operating Viscosity	-12:100 cSt		
Fluid Temperature	-40 °C+145 °C		
<b>Working Pressure</b>	<b>Contamination</b>	<b>Filtre</b>	
	<b>NAS 1638</b>	<b>ISO 4406</b>	<b>βx=75</b>
≥200 bar	11	20/17	25 μm
≤200 bar	12	21/18	40 μm



Code		Displacement	Max. Continuous Pressure	Min. Speed	Max. Continuous Speed	A	B	Inlet	Outlet
Left	Right	(cm <sup>3</sup> /rev)	(%100) (BAR)	(RPM)	(RPM)	(mm)	(mm)	C	D
34206312TANL	34206311TANL	340063AL831	63	290	300	211	139	G 3/4"	G 3/4"
34207312TANL	34207311TANL	340073AL831	73	280		215	139		
34208712TANL	34208711TANL	340087AL831	87	260		220	143	G 1 1/4"	G 1"
34210912TANL	34210911TANL	340109AL381	109	250		228	149		
34213312TANL	34213311TANL	340133AL831	133	220		237	150	G 1 1/2"	
34215112TANL	34215111TANL	340151AL831	151	180		243	152,5		

\*The values in the table refer to unidirectional pumps. Reversible pump max pressures are 10% lower than those shown in table. For different working conditions please consult our sales department.

40 SERIES GEAR PUMPS  
40 SERİSİ DİŞLİ POMPALAR

HYDRAULIC PUMPS  
HİDROLİK POMPALAR