

6

5

4

3

2

1

D

D

C

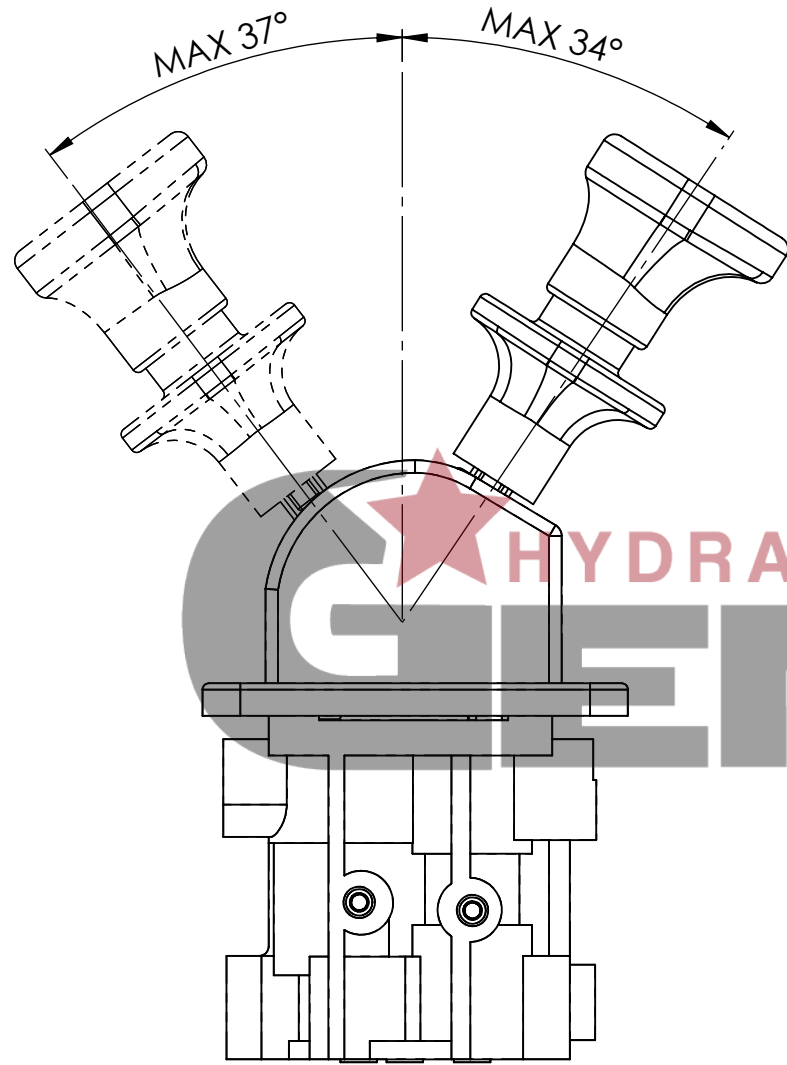
C

B

B

A

A



ÇİZEN DRAWN		MALZEME MATERIAL		TAŞLAMA GRINDING			STOK KODU/STOCK KODE	ÖLÇEK:1:2
KONT. CHECKED		AĞIRLIK WEIGHT		ISIL İŞLEM HEAT TREAT				
TARİH DATE		KAPLAMA COATING		SATIN ALMA BUY				
CNC KOD CNC CODE		OP KODU OP CODE				UNDER OTHERWISE SPECIFIED DIMENSIONS ARE IN MILLIMETRES		SAYFA 1 / 1
								A4

6

5

4

3

2

1