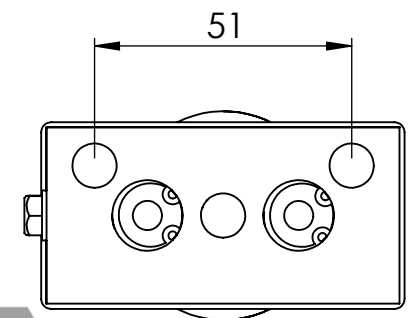
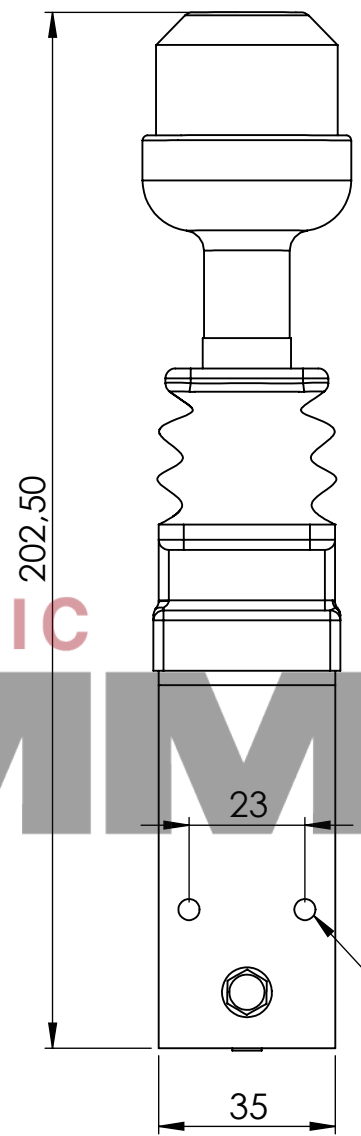
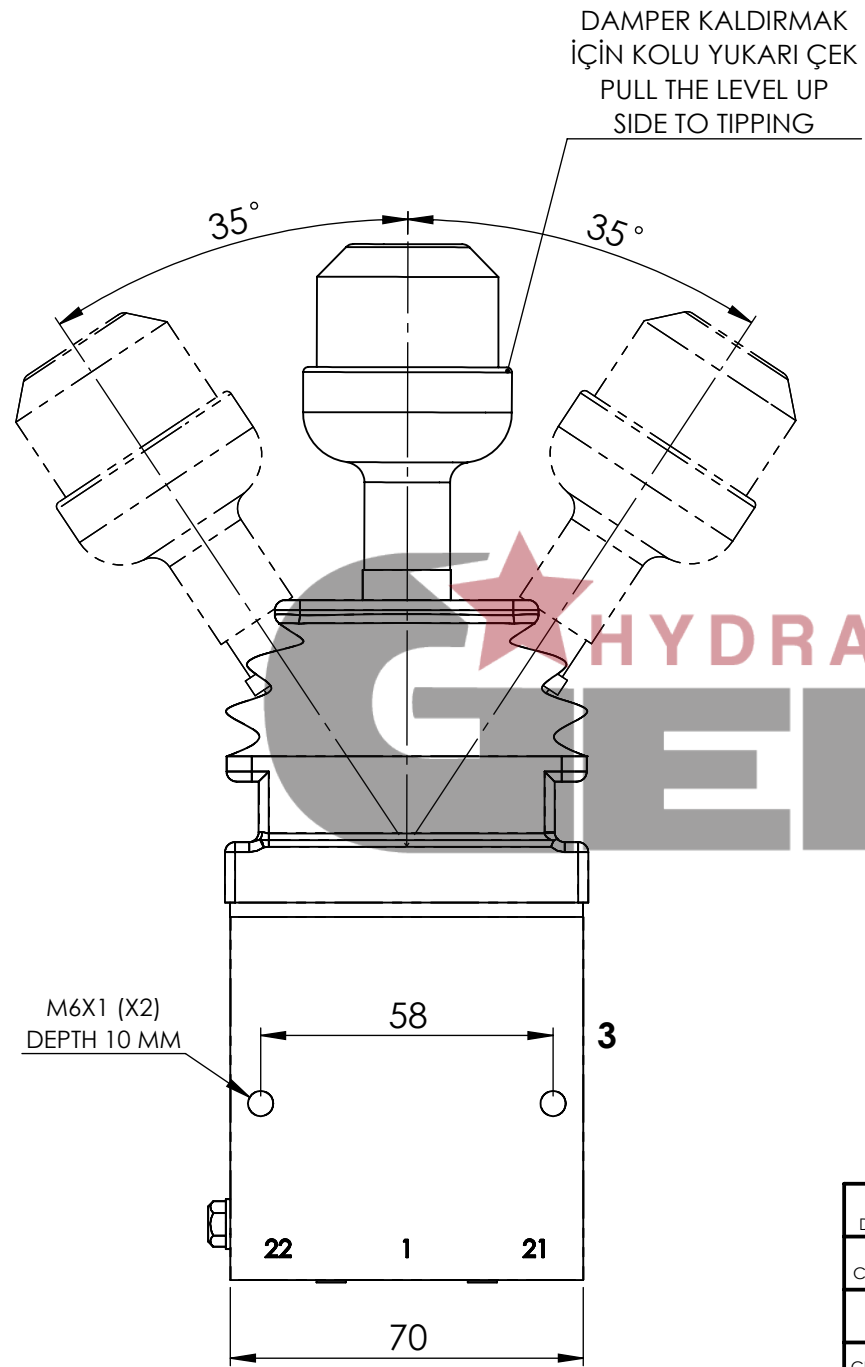


6 5 4 3 2 1

D
C
B
A

D
C
B
A



M5X0,80
DEPTH 10 MM

ÇİZEN DRAWN	MALZEME MATERIAL	TAŞLAMA GRINDING		STOK KODU/STOCK KODE	ÖLÇEK:1:5 SAYFA 1 / 1 A4
KONT. CHECKED	AĞIRLIK WEIGHT	ISIL İŞLEM HEAT TREAT			
TARİH DATE	KAPLAMA COATING	SATIN ALMA BUY		UNDER OTHERWISE SPECIFIED DIMENSIONS ARE IN MILLIMETRES	
CNC KOD CNC CODE	OP KODU OP CODE	TOLERANSLER			

6 5 4 3 2 1