

6 5 4 3 2 1

D

C

B

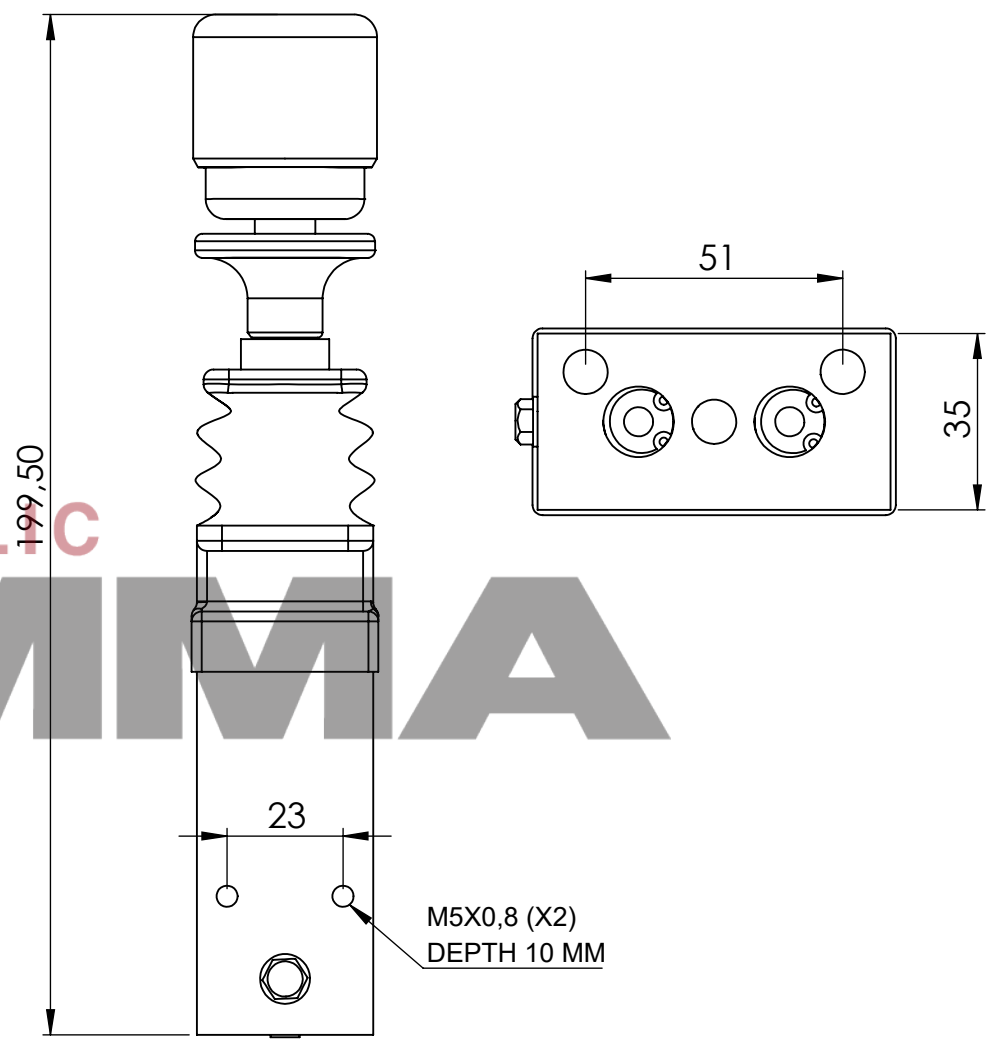
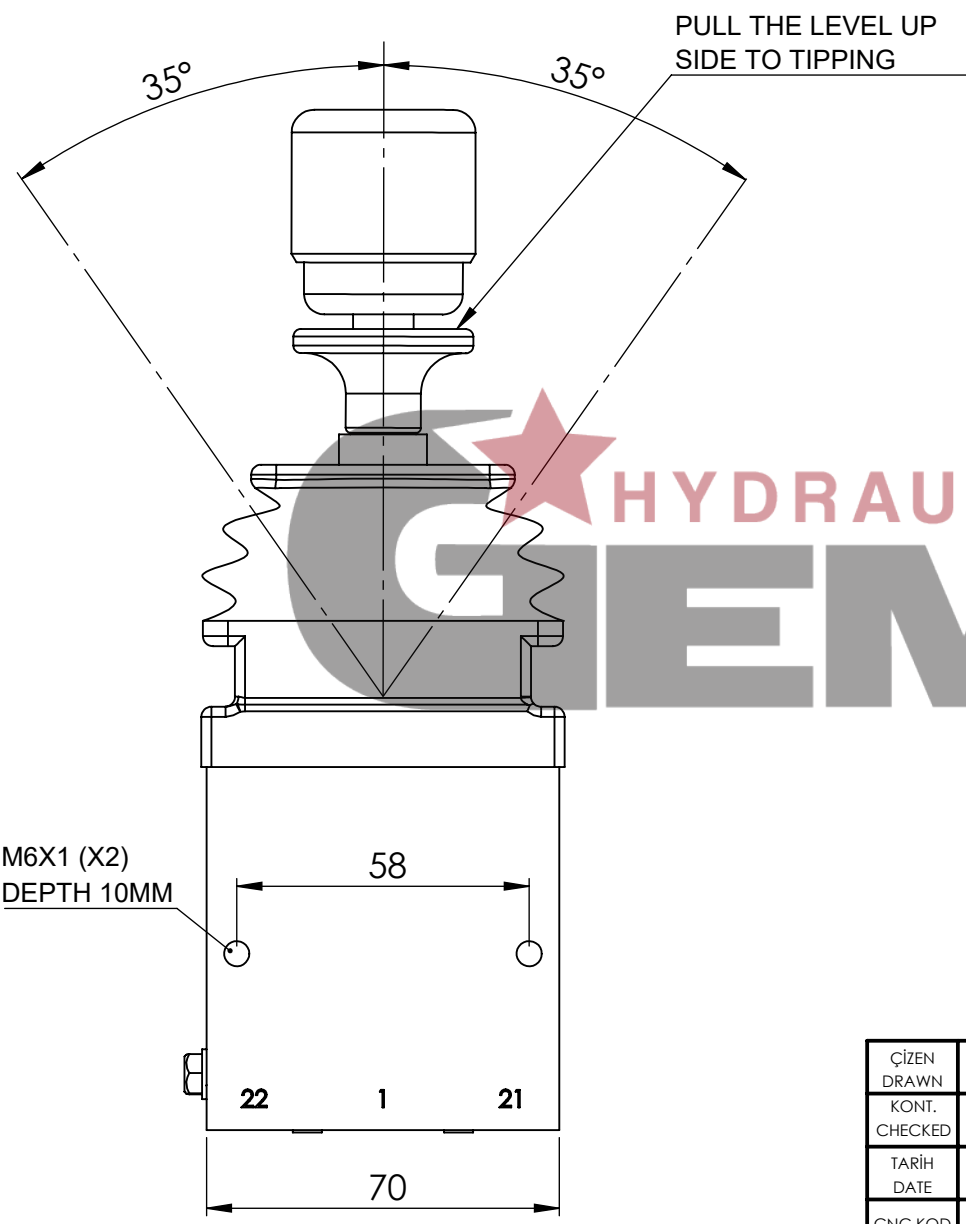
A

D

C

B

A



HYDRAULIC

GEMMA

ÇİZEN DRAWN		MALZEME MATERIAL		TAŞLAMA GRINDING			STOK KODU/STOCK KODE	ÖLÇEK:1:5
KONT. CHECKED		AĞIRLIK WEIGHT		ISIL İŞLEM HEAT TREAT				
TARİH DATE		KAPLAMA COATING		SATIN ALMA BUY				
CNC KOD CNC CODE		OP KODU OP CODE		TOLERANSLER				
					UNDER OTHERWISE SPECIFIED DIMENSIONS ARE IN MILLIMETRES	SAYFA 1 / 1		A4

6 5 4 3 2 1