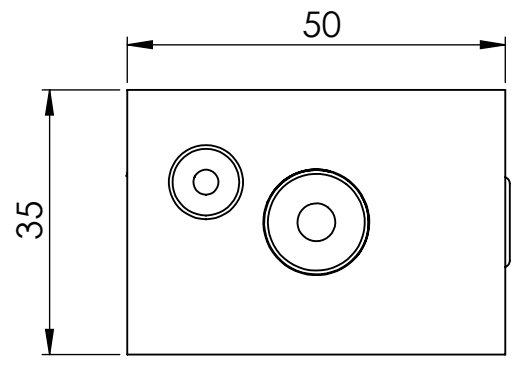
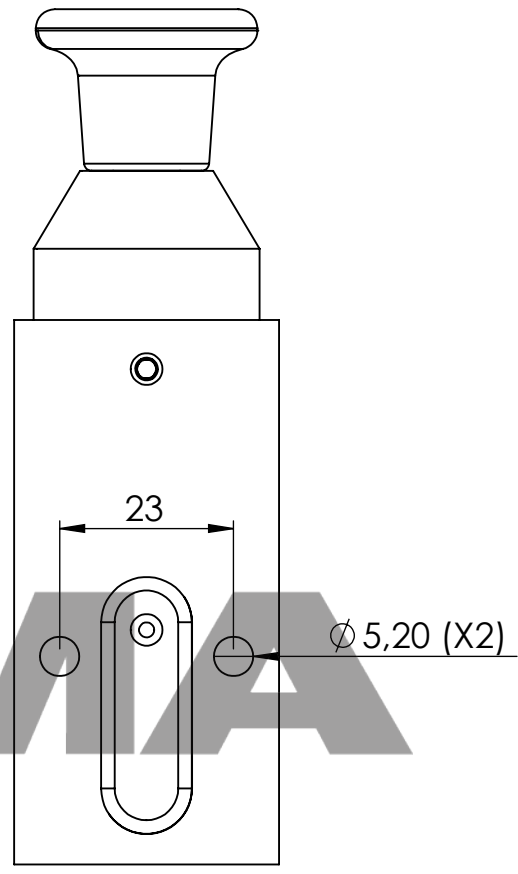
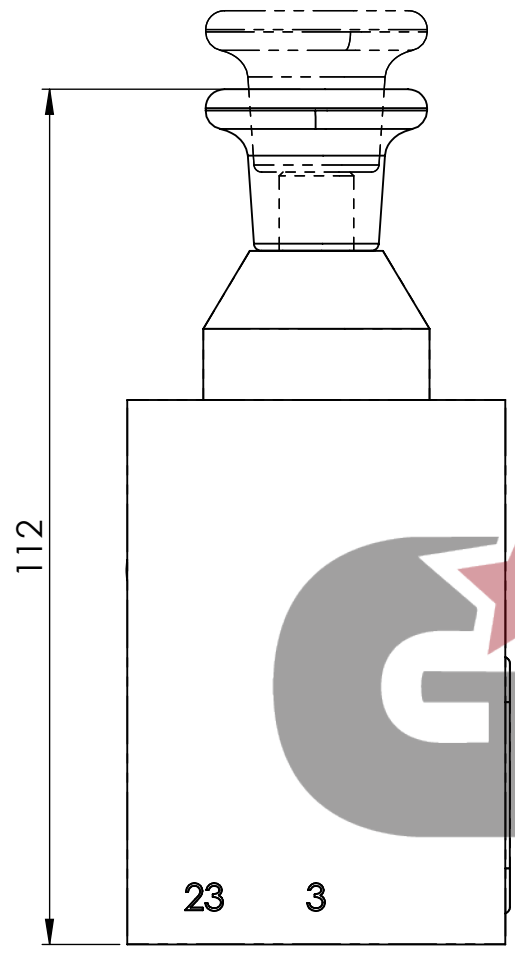


6 5 4 3 2 1

D
C
B
A



HYDRAULIC
GEMMA

ÇİZEN DRAWN		MALZEME MATERIAL		TAŞLAMA GRINDING		HYDRAULIC GEMMA	STOK KODU/STOCK KODE	ÖLÇEK:1:2 SAYFA 1 / 1 A4
KONT. CHECKED		AĞIRLIK WEIGHT		ISIL İŞLEM HEAT TREAT				
TARİH DATE		KAPLAMA COATING		SATIN ALMA BUY				
CNC KOD CNC CODE		OP KODU OP CODE				UNDER OTHERWISE SPECIFIED DIMENSIONS ARE IN MILLIMETRES		

6 5 4 3 2 1

D
C
B
A