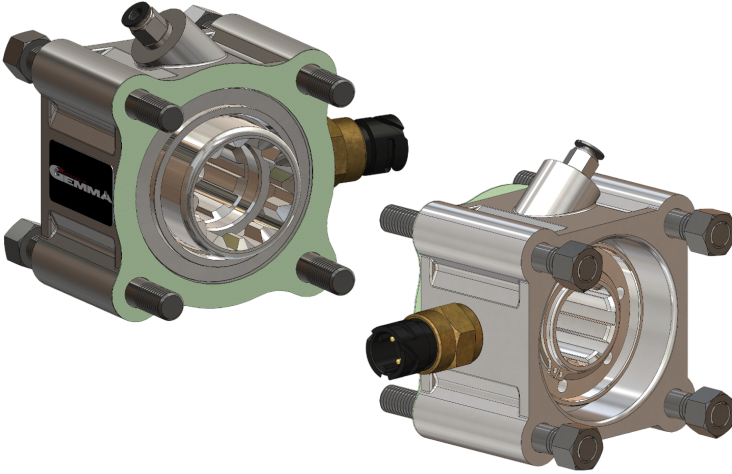
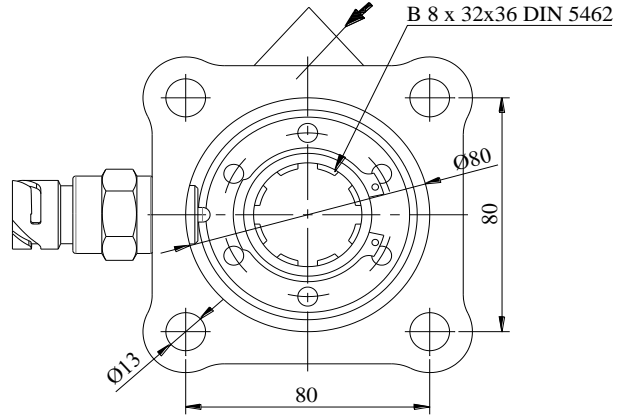
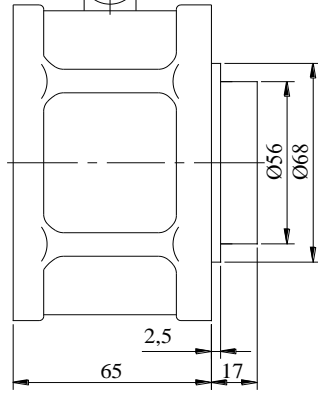


TYPE : PTO ZF1 Aluminium Electrical Switch Rear Single Gear
CODE : 50213352P1

**SPECIFICATIONS**

Torque	:	57 kgm
Power	:	25,7 kw
Ratio	:	1:1
Rotation	:	Clock wise
Mounting type	:	Rear
Control type	:	Pneumatic
Weight	:	2,5 kg

AIR INLET R1/4"

**USED VEHICLES**

MAN / MERCEDES /BMC PROFESYONEL / FORD CARGO / CHRYSLER HINO / DODGE / FARGO / IVECO / DAF /
DAEWOO / RENAULT

GEMMA HYDRAULIC

Büyükkayacık OSB. Mh. 413 Nolu Sk. No:9 Selçuklu/Konya
www.gemmaautomotive.com