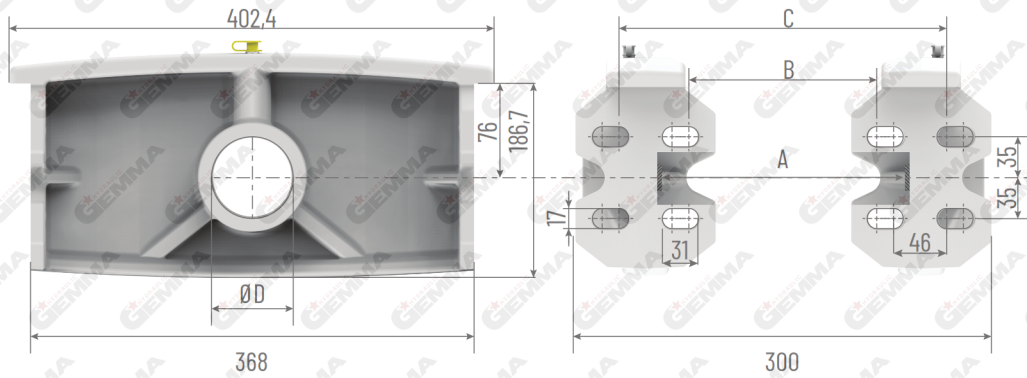
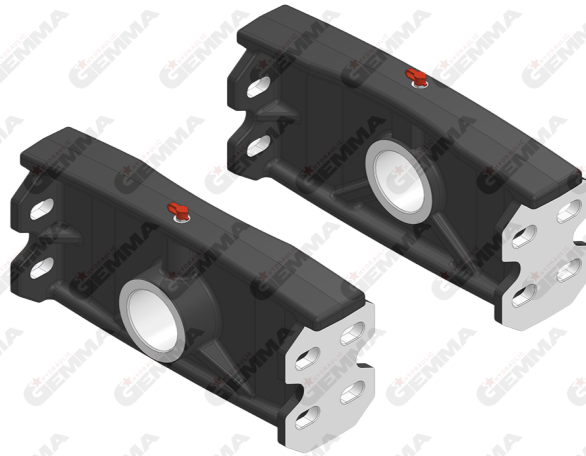


# CHASSIS BRACKET FOR FRONT END CYLINDER

**GM-SBR.02 SERIES**



Product Code	Description	Weight
GM-SBR.02-60	Chassis Bracket Ø60	25 kg
GM-SBR.02-65	Chassis Bracket Ø65	25 kg
GM-SBR.02-70	Chassis Bracket Ø70	25 kg

Stem Diameter ØA (mm)	A (mm)	B (mm)	C (mm)	ØD (mm)
Ø138	179	133	263	Ø60
Ø163	206	160	280	Ø60
Ø188	236	190	310	Ø60
Ø218	262	216	336	Ø60
Ø240	292	245	366	Ø60
Ø270	322	276	396	Ø60

GM-SBR.02 SERIES  
GM-BR.02 SERİSİ

BRACKETS  
BRAKETLER