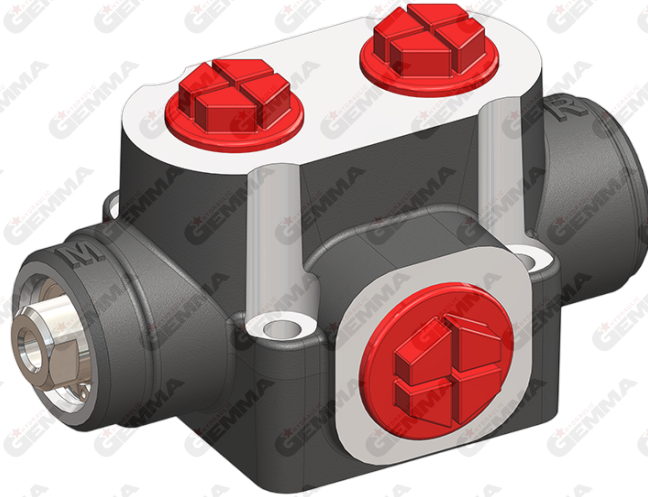




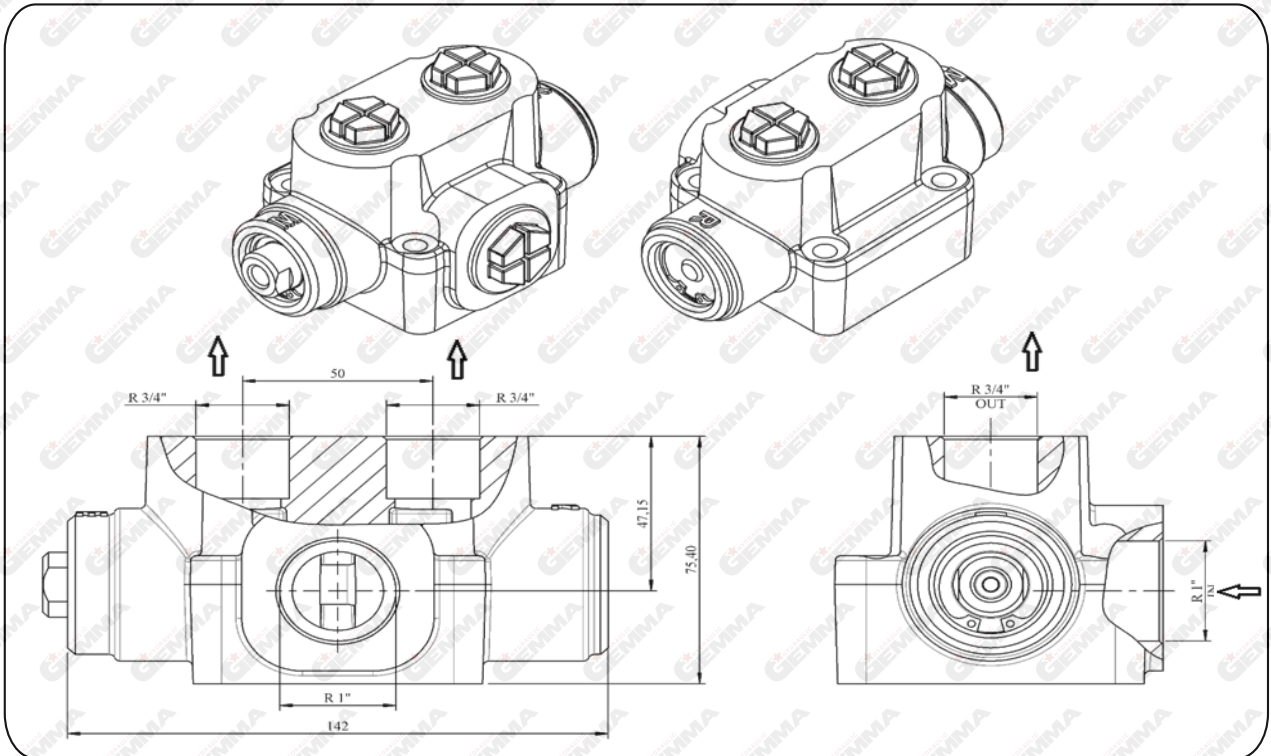
DIVERTER VALVE HIGH PRESSURE 3-WAY 2-POSITION

36001070



VALVES
VENTİLLER

HYDRAULIC EQUIPMENT
HİDROLİK EKİPMANLAR



SPECIFICATIONS	
Pump Connection	R 1"
1. Cylinder Connection	R 3/4"
2. Cylinder Connection	R 3/4"
Working Pressure	300 bar
Max. Intermittent Pressure	330 bar
Max. Peak Pressure	400 bar
Max. Flow	250 l/min
Oil Temperature Range	-20 & 80 °C
Weight	2,8 kg

