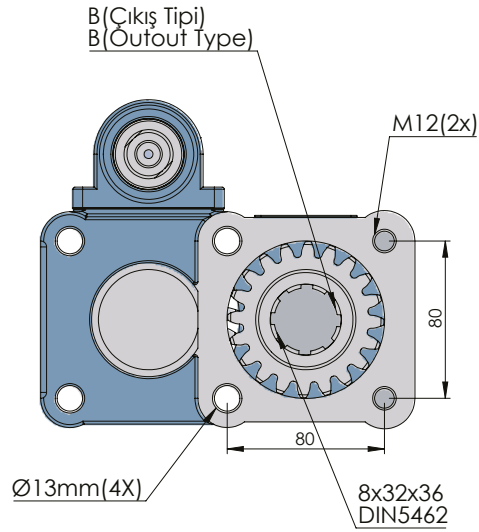
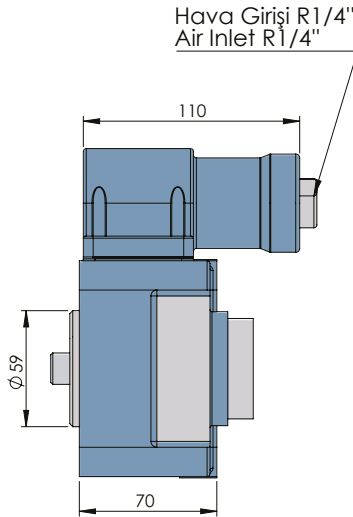
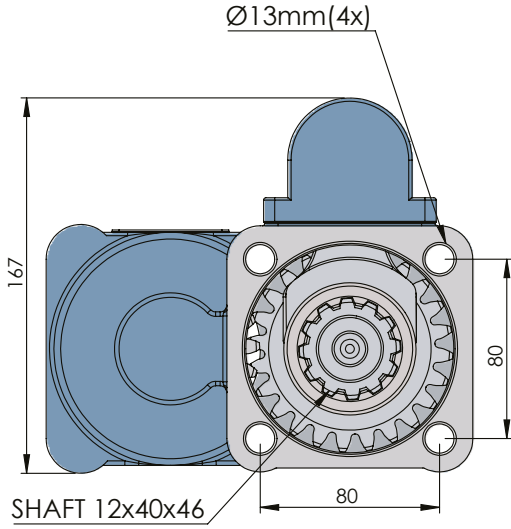


# EATON 6109 DOUBLE GEAR ISO

EATON 6109 AKTARMALI ISO



EATON

POWER TAKE-OFFS  
P.T.O.

CODE KOD	TYPE TİP (A)	MOUNTING TYPE BAĞLANTI TİPİ (B)	MOUNTING SIDE BAĞLANTI	TORQUE TORK (Kg / Nm)	POWER GÜC (Hp / Kw)	SPEED DEVİR (RPM)	RATIO ORAN
50414311P0	PNEUMATIC PNÖMATİK	UNI ADAPTER ADAPTÖRLÜ UNI	REAR KUYRUK	26,5 Kg 260 Nm	24,5 HP 18,3 Kw	675 RPM	1/1,2
50414321P0		ISO					
50414331P0		FLANGE ADAPTÖRLÜ FLANŞLI					
50414341P0		SHAFT ADAPTÖRLÜ ŞAFTLI					
GEARBOX / ANA ŞANZİMANLAR				USED VEHICLES / KULLANILAN BAZI ARAÇLAR			
EATON FS/FSV/FSO/H/V 6109(6,59-8,81-12,64)-6209-8209(8,76-12,57) FS/FSV/FSO/H/V 5109-6309-8309 (7,84-6,59-8,76-9,45-12,637) A EATON ES 11109 DD (8,81) - ES 11109 LH ESO 14409 EATON ESO 14409 FORD 2018				214.26-220.26-280 FATİH / 2520L-2621 FORD CARGO / 522-822-620 BMC 280 / FODEN 3000 26.234-26.264-26.284 MAN 6X2 EURO / SEDDON 211 / NISSAN CPC 16 / RENAULT MIDLUM 270 TATA LPTA 1621 TC 6x6-LPS 4021 TC / ERF ES6 / 1626 JAC MISIR / AMW INDIA 4930- 4018-2518 ISUZU FXZ 23 / HINO FM1JNRA-JNPD-JKPA-GVW 26T / MITSUBISHI M527M2L / 527M3L / FN 627 NISSAN UD177ETN-CWA211MHRR-CWA214-CPC16 / HINO 500 SERIES GH1JLPD EURO 2 / 18.264 MAN M			