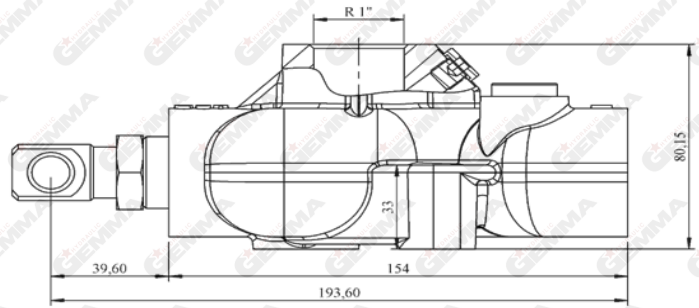
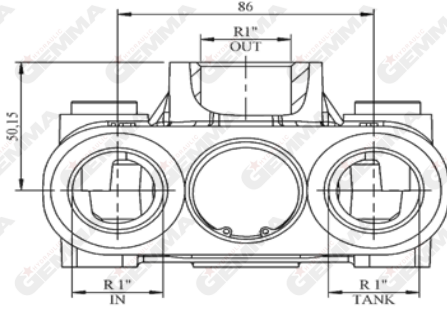
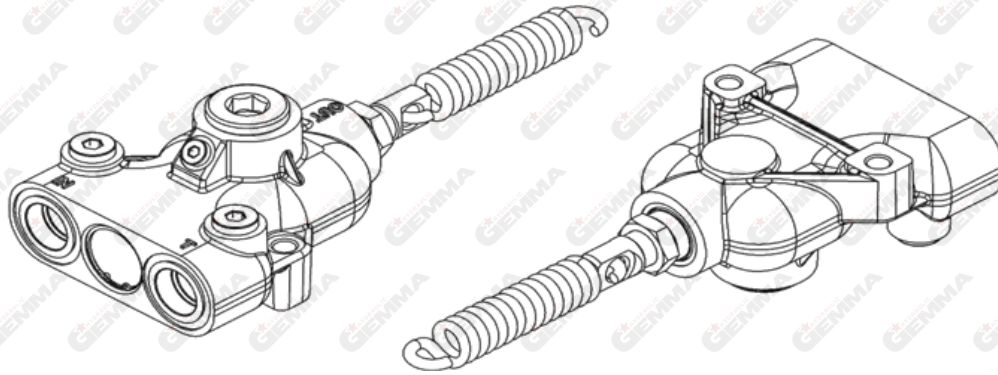




END-OF-STROKE VALVE RUNSTOP

GKV-06B



SPECIFICATIONS

Pump Connection	R 1"
1. Cylinder Connection	R 1"
2. Cylinder Connection	R 1"
Working Pressure	300 bar
Max. Intermittent Pressure	330 bar
Max. Peak Pressure	400 bar
Max. Flow	200 l/min
Oil Temperature Range	-20 & 80 °C
Weight	5,1 kg

FUNCTIONAL DIAGRAM

