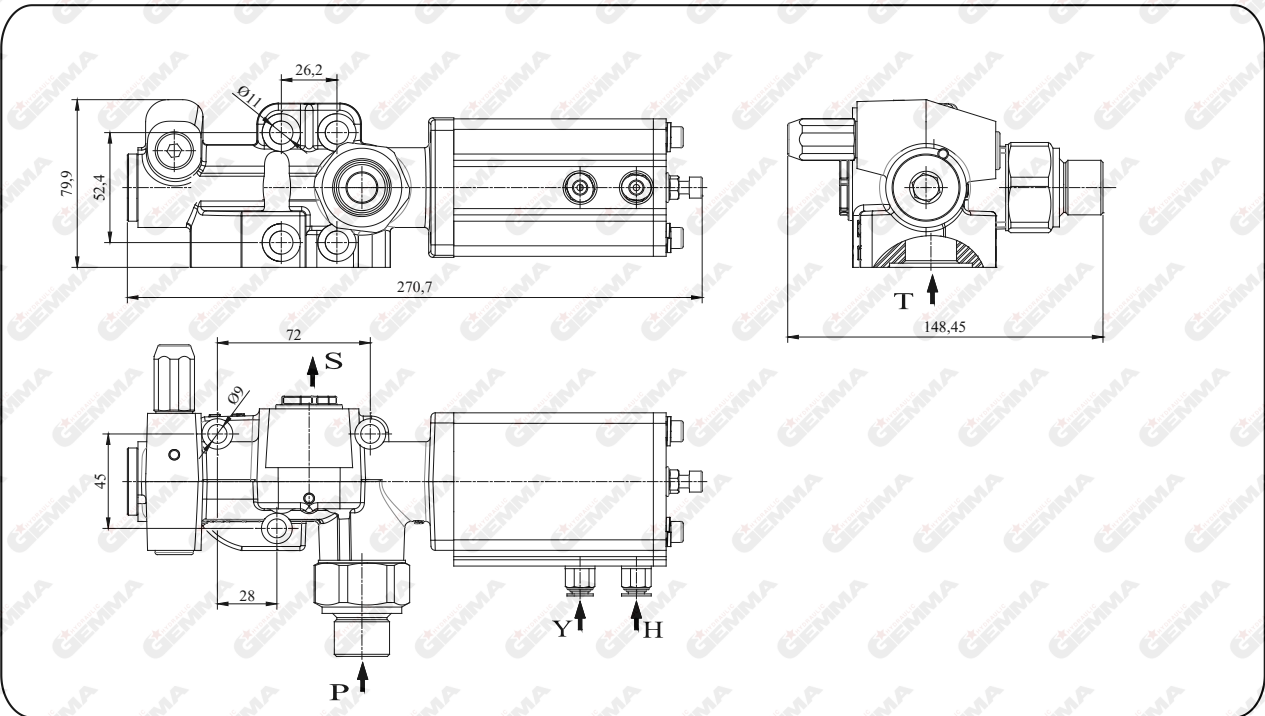
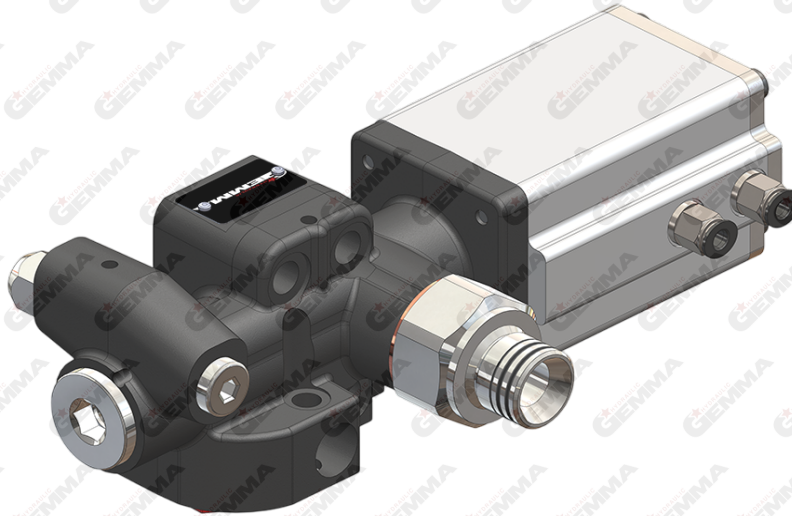
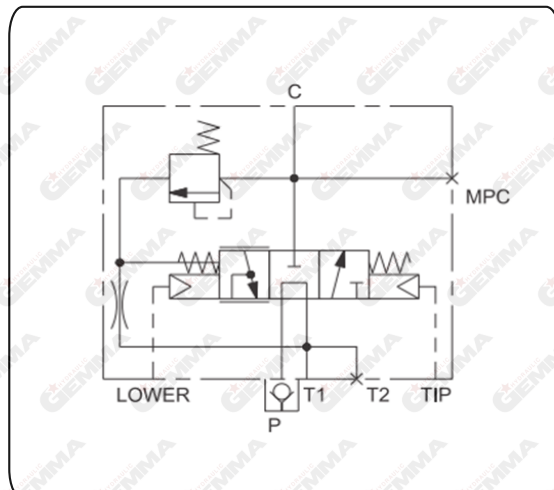


# FIXED PRESSURE DIVERTER VALVE - 190 Bar

360034190



SPECIFICATIONS	
Cylinder connection	R 3/4"
Pump connection	R 3/4"
Tank connection	R 3/4"
Cylinder lowering	R 1/8"
Cylinder tipping	R 1/8"
Max. working pressure	190 bar
Max. Flow	150 L/dak
Oil Temperature Range	-20 & 80 °C
Weight	4 kg



VALVES  
VENTİLLER

HYDRAULIC EQUIPMENT  
HİDROLİK EKİPMANLAR