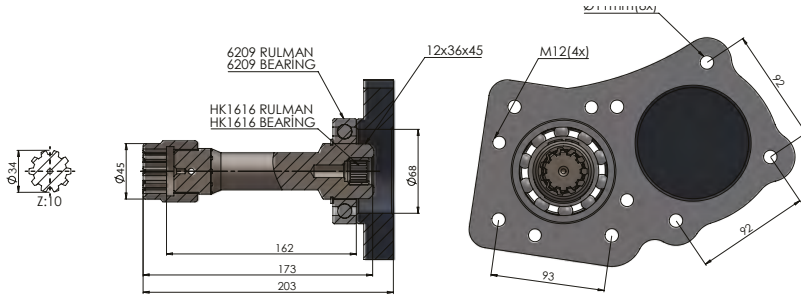


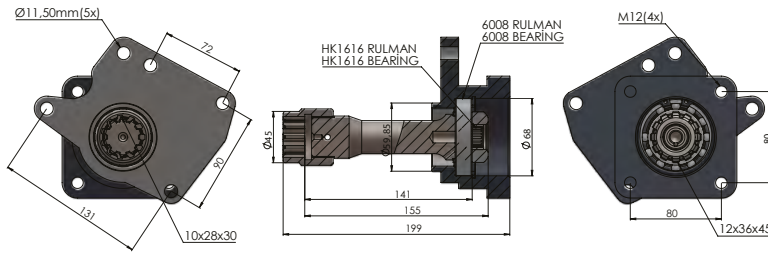
FULLER 15612



60517316

GEARBOX ANA ŞANZIMANLAR	USED VEHICLES KULLANILAN BAZI ARAÇLAR
EATON-PTO FULLER 11612-12612-13612-15612-14607-16612 A/H (675 RPM, SOL)	440E42-720E37 EUROTCH-EUROTRACER-EUROSTAR / LEYLAND 80.330-85.330-85.400 DAF / 190.36-240.36 IVECO / FODEN 4275 SEDON ATKINSON 3.11 L25 / ERF E 14.35 TT - EC10-EC 11 400E34 IVECO - SEDDON 23.405 / STEYR

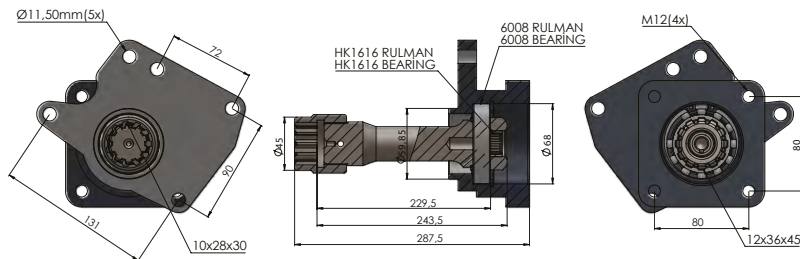
FULLER 17316 SHORT



60517317

GEARBOX ANA ŞANZIMANLAR	USED VEHICLES KULLANILAN BAZI ARAÇLAR
RTSO 12316-14316-15316-17316 A (1000 RPM, SOL)	19.413 SLIENT 19.314-19.364-19.464-18.403-35.403-21.314 - 24.417-27.364 MAN 35.314-35.414-37.464-41.414 -41.603-41.464-50.414 MAN/ ERF EC11 / ERF E6-EC14

FULLER 17316 LONG



60511612

GEARBOX ANA ŞANZIMANLAR	USED VEHICLES KULLANILAN BAZI ARAÇLAR
RTSO 12316-14316-15316-17316 A (1000 RPM, SOL)	19.413 SLIENT 19.314-19.364-19.464-18.403-35.403-21.314 - 24.417-27.364 MAN 35.314-35.414-37.464-41.414 -41.603-41.464-50.414 MAN/ ERF EC11 / ERF E6-EC14

CARDAN SHAFTS
KARDAN MİLLERİ

HYDRAULIC EQUIPMENT
HİDROLİK EKİPMANLAR