



# PISTON PUMP Z SERIES

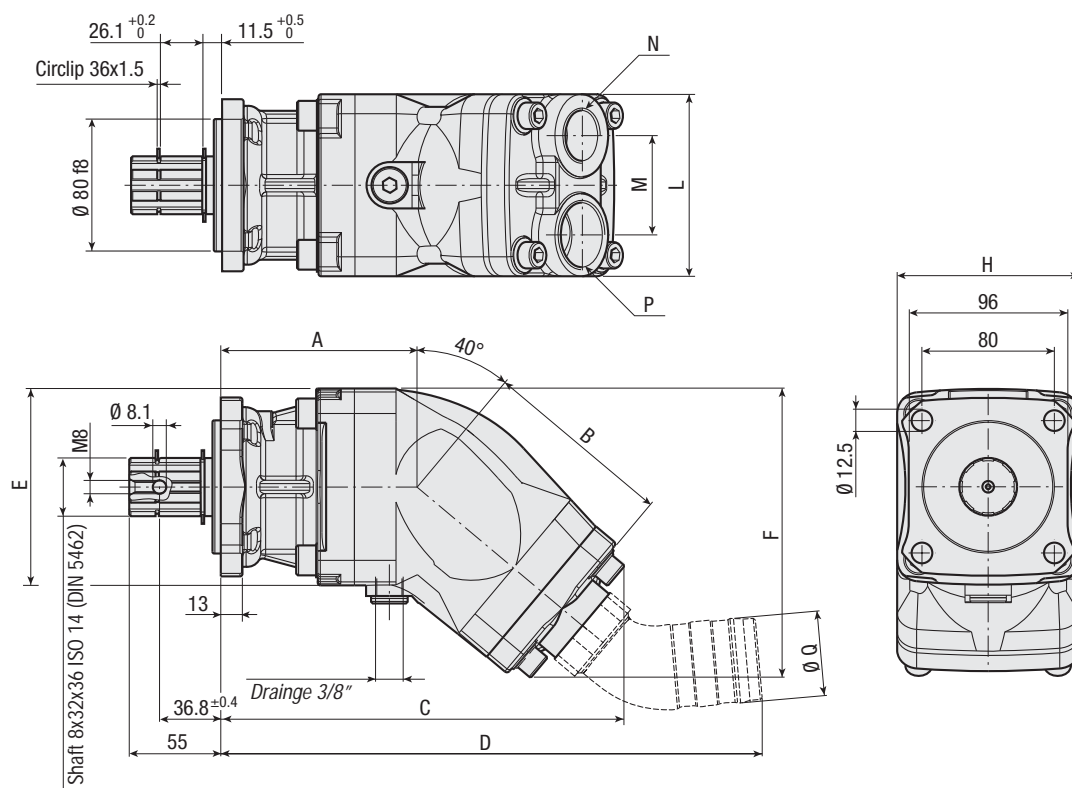
GEMMA PISTON POMPA Z SERİSİ



## SPECIFICATIONS AND TECHNICAL DATA

PISTON PUMP Z

CODE			35703431/32	35704731/32	35706431/32	35708431/32	35710631/32
<i>Displacement</i>	Vg	cm <sup>3</sup> /n cm <sup>3</sup> /rev.	34.60	47.39	64.08	84.38	107.70
<i>Max operating pressure</i>	P1	bar	450	450	450	400	350
<i>Max peak pressure</i> (≤ 0.1 s)	P3		500	500	500	450	400
<i>Max intermittent speed</i> (P ≤ 30 bar)	n3	n/min r.p.m.	3000	2500	2500	2000	2000
<i>Max continuous speed</i> (≤ P1)	n1		2300	1900	1900	1600	1500
<i>Min intermittent speed</i> (≤ P1 x 0.5) (max 30 s)	n4		300				
<i>Suction pressure (absolute)</i>	P	bar	0.7 ÷ 1.5				
<i>Operating viscosity range</i>	√	cST	9 ÷ 75				
<i>Optimal viscosity range</i>	√		15 ÷ 46				
<i>Start up max viscosity</i>	√		1000				
<i>Fluid temperature °C (t)</i>	t	°C	-25° ÷ 80°				



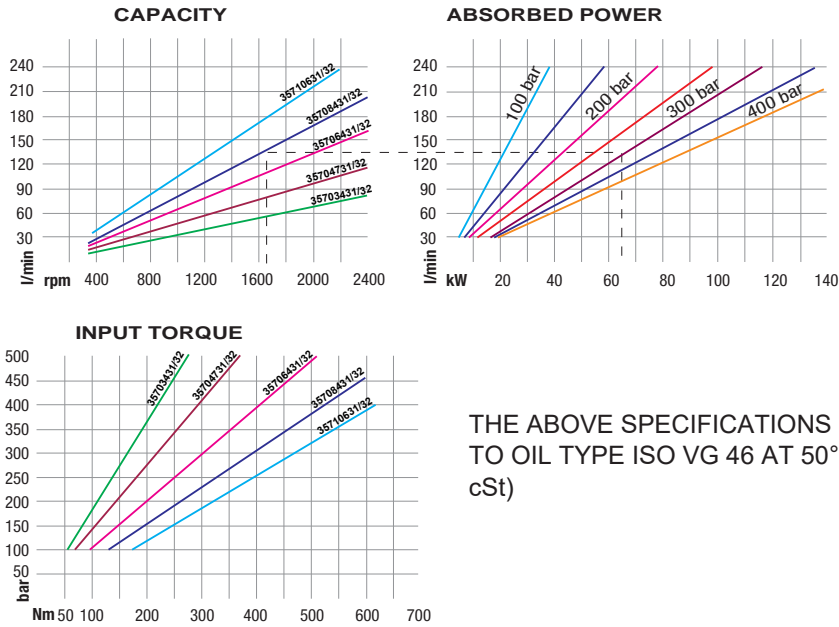
**SPECIFICATIONS AND TECHNICAL DATA**

CODE	A mm	B mm	C mm	D mm	E mm	F mm	G mm	H mm	L mm	M mm	OUTLET	INLET		WEIGHT kg
											N	P	Q mm	
35703431/32	109	113	220	308	107	157	107.5	102	95	46	3/4" G	1" G	45	10.5
35704731/32	109	113	220	308	107	157	107.5	102	95	46	3/4" G	1" G	45	10.5
35706431/32	118	128	240	328	118	173	107.5	110	110	60	1" G	1" 1/4 G	51	13.5
35708431/32	118	128	240	328	118	173	107.5	110	110	60	1" G	1" 1/4 G	51	13.5
35710631/32	118	128	240	328	118	173	107.5	110	110	60	1" G	1" 1/4 G	51	13.5

Piston pump Z series reserves the right to modify the technical data mentioned into this catalogue without notice. The herewith mentioned data are not bounding.



## DIAGRAMS



THE ABOVE SPECIFICATIONS REFER TO OIL TYPE ISO VG 46 AT 50° C ( $\nu=30$  cSt)

PISTON PUMP Z SERIES

## FILTERING

> Filtering on return line (or outlet) recommended. Refer to the side table.

A filter on the inlet is not recommended because of possible cavitation problems.

If it is necessary, the suction pressure limit of -0,3 bar (corresponding to 0,7 absolute bar) must be respected.

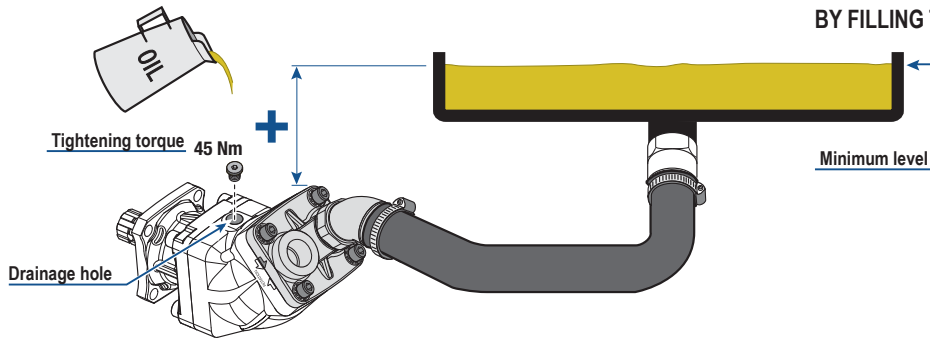
Working Press P2	Contamination		Filter $\beta_x = 75$
	NAS 1638	ISO 4406	
$\leq 200$ bar	10	19/16	25 $\mu\text{m}$
$< 300$ bar	9	18/15	20 $\mu\text{m}$
$\geq 300$ bar	8	17/14	10 $\mu\text{m}$

## FITTINGS

> Make use of cylindric gas-fi ttings (BSP) with O-ring, bonded-seal on the pump. Do NOT use fittings with conical thread (NPT).

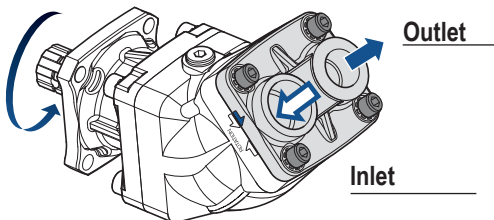
## INSTALLATION INSTRUCTIONS

BEFORE STARTING UP MAKE SURE THAT THE PUMP IS FILLED WITH OIL, EITHER BY BLEEDING THE AIR THROUGH THE DRAINAGE HOLE OR BY FILLING THE PUMP PREVIOUSLY.



Failing to observe this rule may cause damages to the pump.

## DIRECTION OF ROTATION-CHANGE OF ROTATION

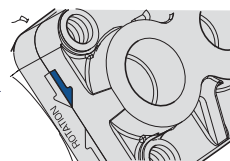
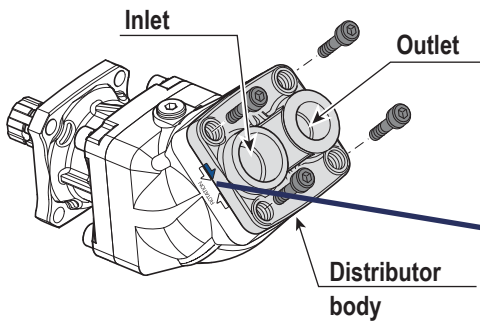


Choosing the direction of rotation.

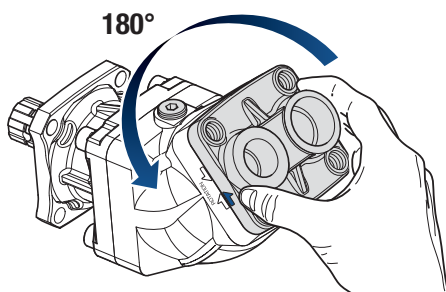
CLOCKWISE ROTATING PUMP  
(ANTICLOCKWISE ROTATING P.T.O.)

Tightening torque screws 80 Nm

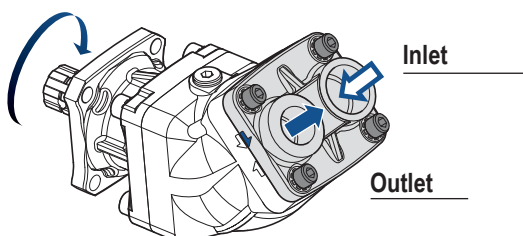
To change the direction of rotation remove the 4 screws and, keeping the distributor body close to the pump, rotate it by 180°. Tighten the 4 screws at  $80 \pm 5$  Nm.



ARROW + NOTCH = DIRECTION OF ROTATION



**WARNING:**  
during this operation the distributor body must not move away from the pump body more than 2 mm.



ANTICLOCKWISE ROTATING PUMP  
(CLOCKWISE ROTATING P.T.O.)