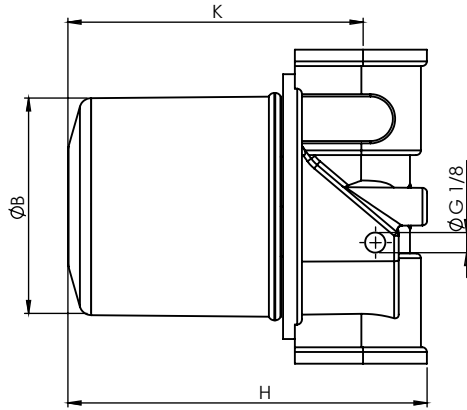


# HYDRAULIC SPIN-ON FILTER

## GEMMA HYDRAULIC SPIN-ON FILTER



Product Code	Flow lt/ min	Product Description	H	ØB	K	Spare Component Code
S0FG10-D12-S25-G01	35	Spin On Filter (10 Series 35 lt/min 25 µ G 1/2" Connection)	140	94	118	S0FE-S1001-S25-B17
S0FG20-D15-F10-G01	55	Spin On Filter (20 Series 55 lt/min 10 µ G 3/4" Connection)	183	94	163	S0FE-S2001-F10-B17
S0FG20-D15-S25-G01	65	Spin On Filter (20 Series 65 lt/min 25 µ G 3/4" Connection)	183	94	163	S0FE-S2001-S25-B17
S0FG21-D15-F10-G01	70	Spin On Filter (21 Series 70 lt/min 10 µ G 3/4" Connection)	183	94	163	S0FE-S2101-F10-B17
S0FG21-D15-S25-G01	80	Spin On Filter (21 Series 80 lt/min 25 µ G 3/4" Connection)	183	94	163	S0FE-S2101-S25-B17
S0FG30-D18-F10-G01	65	Spin On Filter (30 Series 65 lt/min 10 µ G 1" Connection)	258	94	238	S0FE-S3001-F10-B17
S0FG30-D18-S25-G01	75	Spin On Filter (30 Series 75 lt/min 25 µ G 1" Connection)	258	94	238	S0FE-S3001-S25-B17
S0FG31-D18-F10-G01	80	Spin On Filter (31 Series 80 lt/min 10 µ G 1" Connection)	258	94	238	S0FE-S3101-F10-B17
S0FG31-D18-S25-G01	90	Spin On Filter (31 Series 90 lt/min 25 µ G 1" Connection)	258	94	238	S0FE-S3101-S25-B17
S0FG40-D21-F10-G01	115	Spin On Filter (40 Series 115 lt/min 10 µ G 1 1/4" Connection)	245	127	218	S0FE-S4001-F10-B17
S0FG40-D21-S25-G01	150	Spin On Filter (40 Series 150 lt/min 25 µ G 1 1/4" Connection)	245	127	218	S0FE-S4001-S25-B17
S0FG50-D21-S25-G01	200	Spin On Filter (50 Series 200 lt/min 25 µ G 1 1/4" Connection)	270	135	342	S0FE-S5001-S25-B17

Connection Measurement	D12	D15	D18	D21
	G 1/2"	G 3/4"	G 1"	G 1 1/4"

By-Pass Setting Valve	B17
	1,7 Bar

Gemma Standart	G01
Customized	GXX

Filtration Value	F10	S25
	10 µ	25 µ
	Fiber Glass	Cellulose

HYDRAULIC FILTER  
FILTRELER