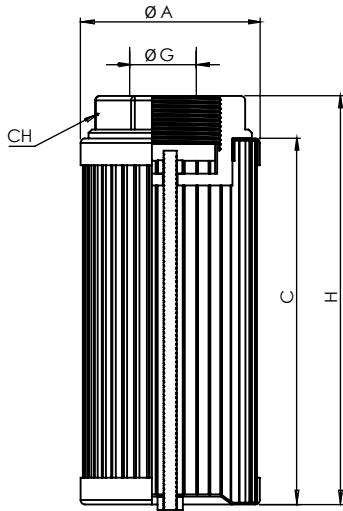


HYDRAULIC SUCTION FILTER

GEMMA HYDRAULIC SUCTION FILTER



Product Code	Flow lt/min	Product Description	ØG	ØA	C	H	CH
SFTG05-D06-149-G01	5	Suction Filter (5 lt/min 149 µ G 1/4" Connection)	1/4"	30	80	87	16
SFTG15-D18-149-G01	15	Suction Filter (15 lt/min 149 µ G 1" Connection)	1"	59	64	88	42
SFTG25-D18-149-G01	25	Suction Filter (25 lt/min 149 µ G 1" Connection)	1"	59	100	124	42
SFTG45-D18-149-G01	45	Suction Filter (45 lt/min 149 µ G 1" Connection)	1"	59	140	164	42
SFTG65-D24-149-G01	65	Suction Filter (65 lt/min 149 µ G 1 1/2" Connection)	1 1/2"	82	110	134	62
SFTG90-D24-149-G01	90	Suction Filter (90 lt/min 149 µ G 1 1/2" Connection)	1 1/2"	82	163	188	62
SFTG125-D24-149-G01	125	Suction Filter (125 lt/min 149 µ G 1 1/2" Connection)	1 1/2"	82	200	222	62
SFTG180-D24-149-G01	180	Suction Filter (180 lt/min 149 µ G 1 1/2" Connection)	1 1/2"	82	240	263	62
SFTG225-D27-149-G01	225	Suction Filter (225 lt/min 149 µ G 2" Connection)	2"	130	165	192	80
SFTG300-D27-149-G01	300	Suction Filter (300 lt/min 149 µ G 2" Connection)	2"	130	200	222	80
SFTG500-D27-149-G01	500	Suction Filter (500 lt/min 149 µ G 2" Connection)	2"	130	250	282	80
SFTG501-D30-149-G01	500	Suction Filter (500 lt/min 149 µ G 2 1/2" Connection)	2 1/2"	130	250	282	86
SFTG750-D33-149-G01	750	Suction Filter (750 lt/min 149 µ G 3" Connection)	3"	182	250	271	98
SFTG1400-D33-149-G01	1400	Suction Filter (1400 lt/min 149 µ G 3" Connection)	3"	182	500	523	98

Connection Measurement	D06	D18	D24	D27	D30	D33	D36
	G 1/4"	G 1"	G 1 1/2"	G 2"	G 2 1/2"	3"	4"

By-Pass Setting Valve	B17
	1,7 Bar

Gemma Standart	G01
Customized	GXX

Filtration Value	149
	Metal Mesh / 149 µ