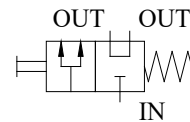
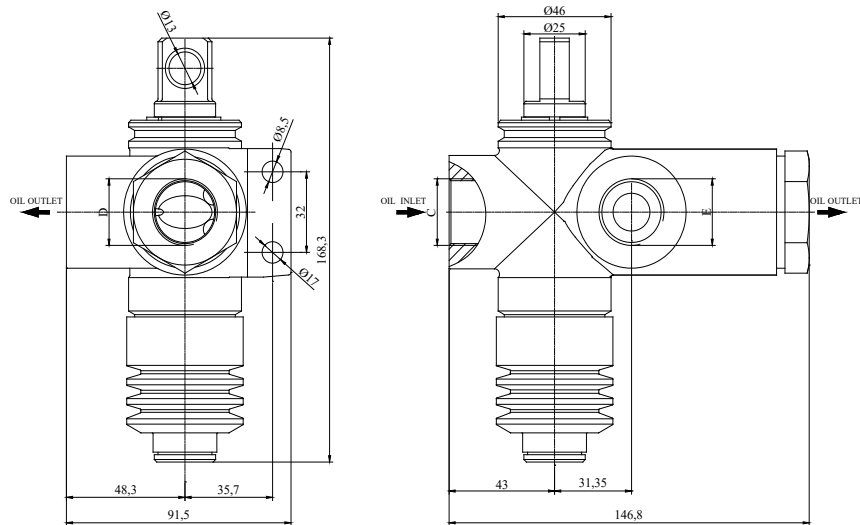
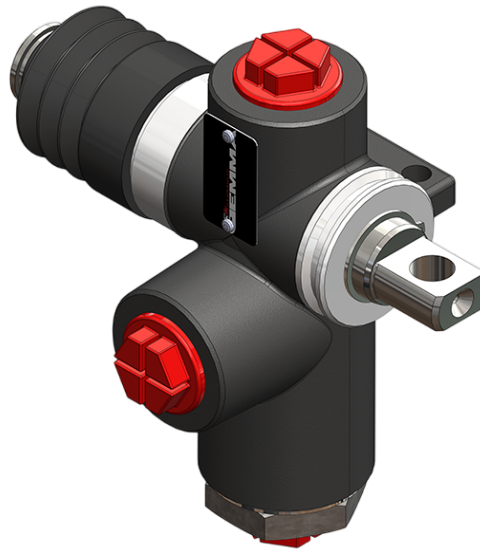


# END-OF STROKE VALVE

**GKV-02**



SPECIFICATIONS	
Oil input - C	R 3/4"
Oil outlet - D	R 3/4"
Oil outlet - E	R 3/4"
Max.working pressure	190 bar
Max. Flow	140 L/dak
Oil temperature range	-20 & 80 °C
Weight	2,5 kg

VALVES  
VENTILLER

HYDRAULIC EQUIPMENT  
HİDROLİK EKİPMANLAR