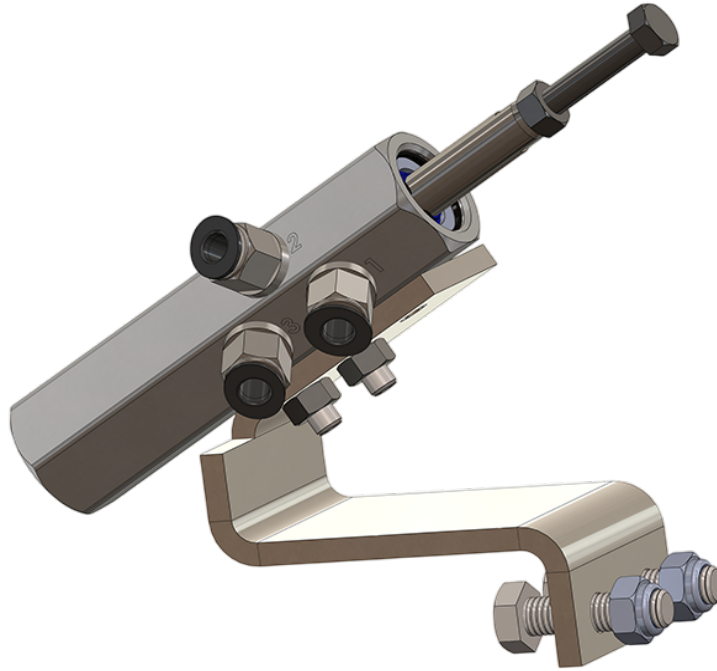


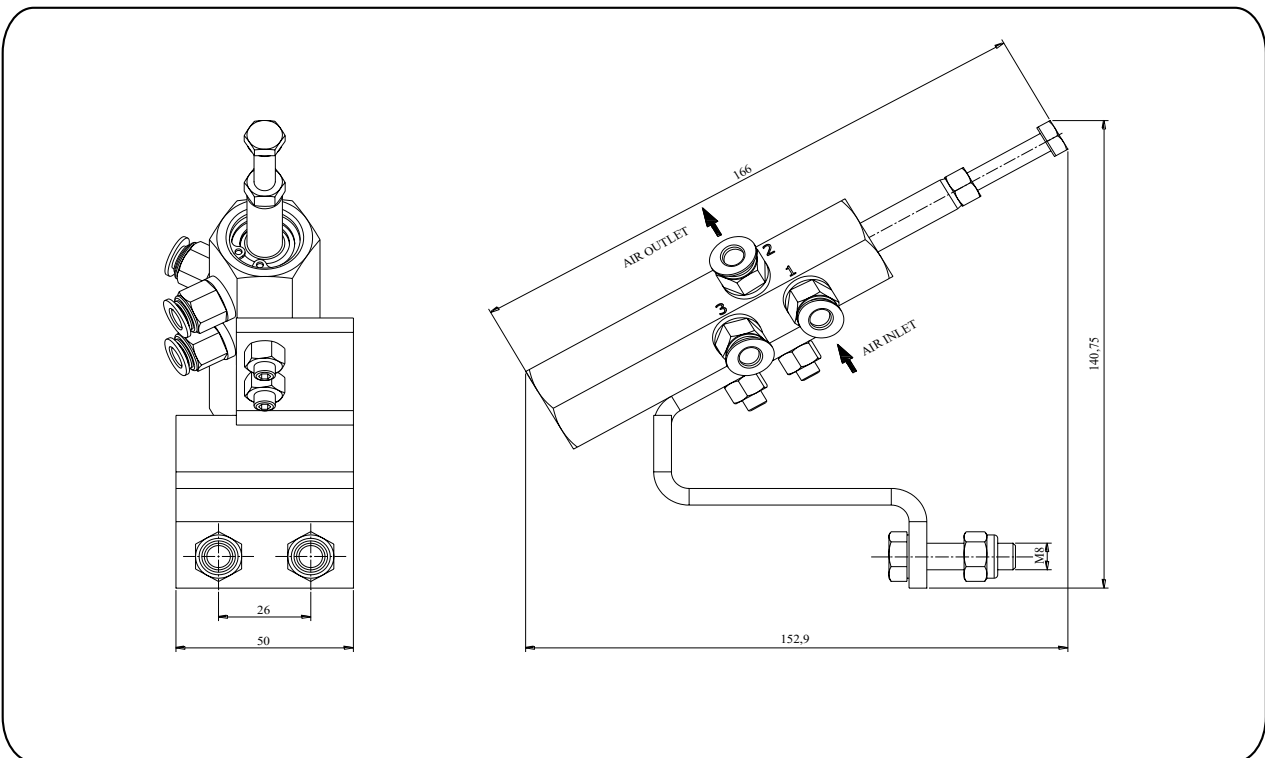
END-OF STROKE VALVE

GKV-03B



VALVES
VENTİLLER

HYDRAULIC EQUIPMENT
HİDROLİK EKİPMANLAR



SPECIFICATIONS	
Air inlet 1-3	G 1/8"
Air outlet 2	G 1/8"
Max.air pressure	12 bar
Air temperature range	-20 & 80 °C
Weight	0,3kg