

**GM-MCB SERIE**

GEMMA HYDRAULIC OIL COOLER

**1. 230/400 VOLT ENGINE OIL COOLERS**

**GM-MCB Serie** is our product line used in all industrial systems. The hydraulic cooling products we offer are manufactured with high quality standards. From material supply to production and post-production quality control processes, every stage is under strict control and surveillance.

**GM-MCB Serie** is used in;

- Mobile systems,
- Fixed unit applications,

Our products are complete cooling systems for AC-DC applications. Complete coolers for AC 230-400 volt applications for.

**HYDRAULIC OIL COOLER  
GM-MCB SERIE****PROPERTIES**

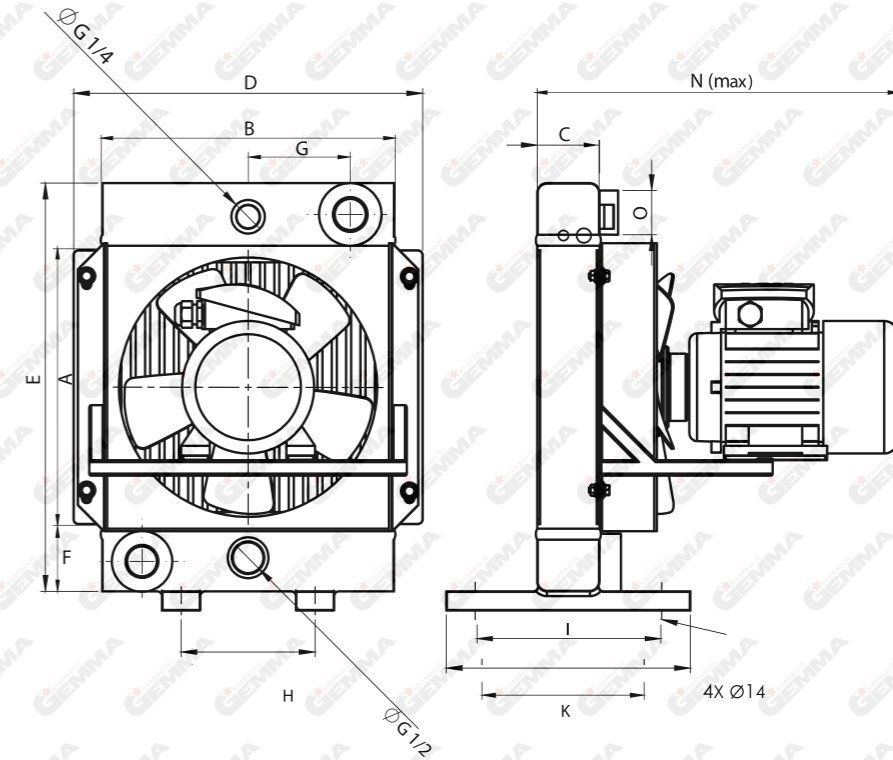
- Test Pressure: 30bar.
- Operating Pressure: 25 bar.
- Used for cooling Synthetic, Mineral Oils, and some liquids.
- Heat in the fluid is cooled through the help of a fan.
- Bar-Plate type cooling pad is used.
- Flexible 6063 aluminum material is used.
- Designed for all kinds of working conditions.
- Ready to use and easy to maintain.
- Has high efficiency and low cost.



2. TECHNICAL DATA

Dimensions	GM-MCB1	GM-MCB2	GM-MCB3	GM-MCB4	GM-MCB5	GM-MCB6	GM-MCB7	GM-MCB8	GM-MCB9	GM-MCB10	GM-MCB11
A	200	300	400	400	550	650	790	800	1025	1025	1170
B	195	305	395	395	410	560	560	650	010	910	1200
C	63	63	63	94	94 (63)	94	94	140	94	113	140
D	254	360	452	452	467	612	613	723	992	992	1270
E	315	415	515	535	690	790	940	960	1350	1350	1520
F	45	45	45	63	63	63	70	70	75	75	70
G	65	115	160	160	165	235	235	280	390	390	532
H	80	150	200	200	200	310	310	400	440	440	525
I	140	190	190	240	240	240	240	240	215	215	200
K	200	250	150	300	300	300	300	300	580	580	750
L	-	-	-	-	-	-	-	-	-	-	-
M	-	-	-	-	-	-	-	-	-	-	-
N (max)	175	370	400	430	440	450	450	590 app	650 app	790 app	900 app
O	1" BSP	1" BSP	1" BSP	1 1/4" BSP	1 1/4" BSP (1" BSP)	1 1/4" BSP	1 1/4" BSP	1 1/2" BSP	-	-	-
Max. Flowrate (Lt./min)	20	50	75	75	100	120	150	200	250	300	400
Capacity (Kcal/h)	1000	2500	5000	5000	6000	12000	22500	50000	55000	60000	70000
Fan Diameter	-	250	380	380	450	500	500	630	900	900	1000
Fan Speed	-	1500	1000	1000	1500	1000	1000	1500	750	1000	1000
dB(A) 1m	-	-	68	68	77	68	68	90	82	88	90
Voltage(V)	-	230-400	230-400	230-400	230-400	230-400	230-400	230-400	230-400	230-400	400
kW	-	0.18	0.25	0.25	0.37	0.37	0.37	2.2	1.5	3.0	7.5
Operating Pressure (Bar)	-	25	25	25	25	25	25	25	15	15	15

3. DIMENSIONS OF THE COOLERS BETWEEN GM-MCB1 AND GM-MCB7



4. DIMENSIONS OF THE COOLERS BETWEEN GM-MCB8 AND GM-MCB11

