

**GM-MCM SERIE**

GEMMA HYDRAULIC OIL COOLER

**1. AC-DC MOTOR OIL COOLERS**

**GM-MCM Serie** is our product line used in all industrial systems. The hydraulic cooling products we offer are manufactured with high quality standards. From material supply to production and post-production quality control processes, every stage is under strict control and surveillance.

**GM-MCM Serie** is used in;  
-Mobile systems,  
-Fixed unit applications,

Our products are complete cooling systems for AC-DC applications.



## HYDRAULIC OIL COOLER GM-MCM SERIE

**PROPERTIES**

- Test Pressure: 30bar.
- Operating Pressure: 25 bar.
- Used for cooling Synthetic, Mineral Oils, and some liquids.
- Heat in the fluid is cooled through the help of a fan.
- Bar-Plate type cooling pad is used.
- Flexible 6063 aluminum material is used.
- Designed for all kinds of working conditions.
- Ready to use and easy to maintain.
- Has high efficiency and low cost.

## 2. CAPACITY PROPERTIES



Product Model	Max. Flowrate (Lt./min)	Capacity [Kcal/h]
GM-MCM1	20	1000
GM-MCM2	50	2500
GM-MCM3	75	5000
GM-MCM4	75	5000
GM-MCM5	100	6000
GM-MCM6	120	12000
GM-MCM7	150	22500
GM-MCM8	200	50000
GM-MCM9	250	55000
GM-MCM10	300	60000
GM-MCM11	400	70000

## 3. TECHNICAL DATA

Model Data	Fan Diameter	Fan Speed	dB(A) 1m	Voltage(V)	kW	Operating Pressure (Bar)
GM-MCM1	165-165-175	1500-1500-2800	79-79-85	12-24-230-400	0.08-0.08-0.05	25
GM-MCM2	250-250-250	1500-1500-2800	75-74-80	12-24-230-400	0.15-0.15-0.25	25
GM-MCM3	350-350-350	1500-1500-2800	76-75-79	12-24-230-400	0.20-0.25-0.35	25
GM-MCM4	350-350-350	1500-1500-2800	76-75-79	12-24-230-400	0.20-0.25-0.35	25
GM-MCM5	8"x2-8"x2-200x2	1500-1500-2800	78-79-76	12-24-230-400	0.10-0.10-0.09	25
GM-MCM6	10"x2-10"x2-250x2	1500-1500-2800	75-74-80	12-24-230-400	0.15-0.15-0.25	25
GM-MCM7	14"x2-14"x2-500	1500-1500-1300	80-80-72	12-24-230-400	0.25-0.35-0.37	25
GM-MCM8	630	1500	90	230-400	2.2	25
GM-MCM9	900	1000	89	230-400	2.2	15
GM-MCM10	900	1000	88	230-400	3.0	15
GM-MCM11	1000	1000	90	400	7.5	15

## 4. DIMENSIONS

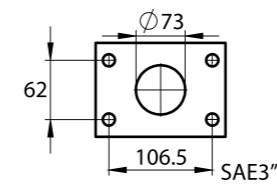
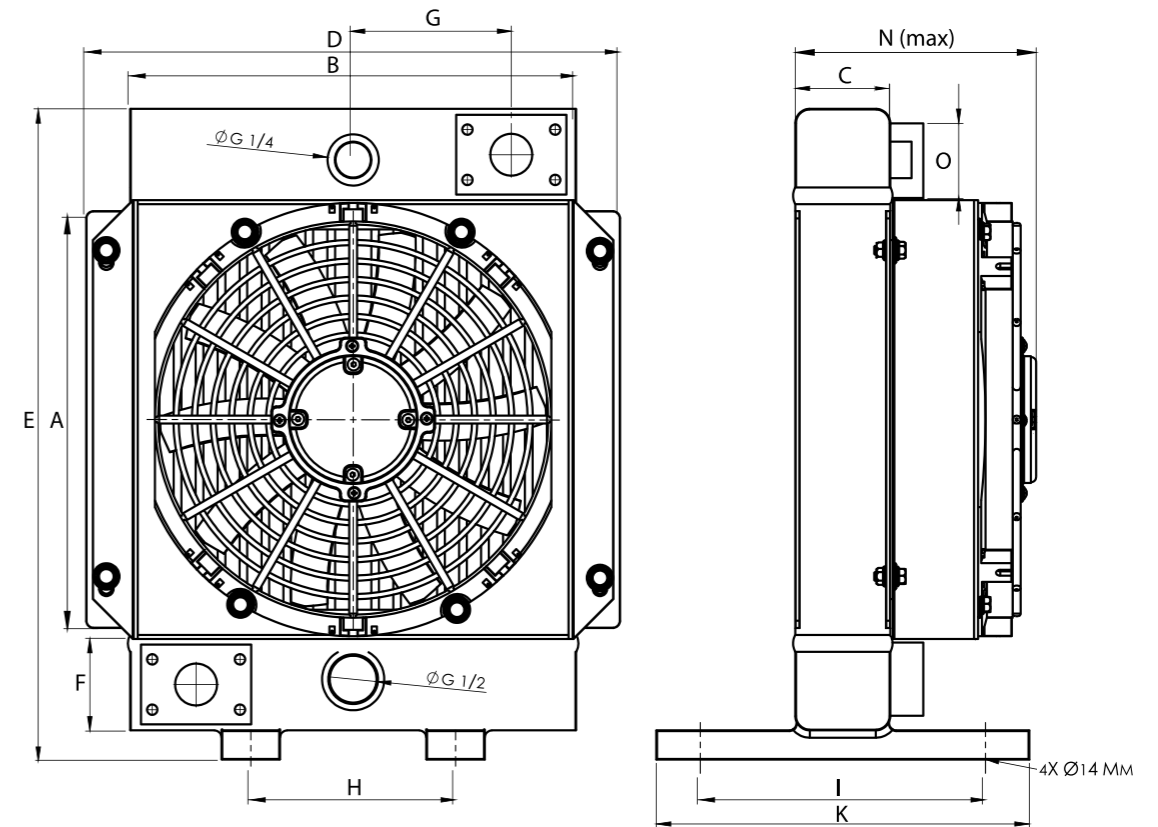
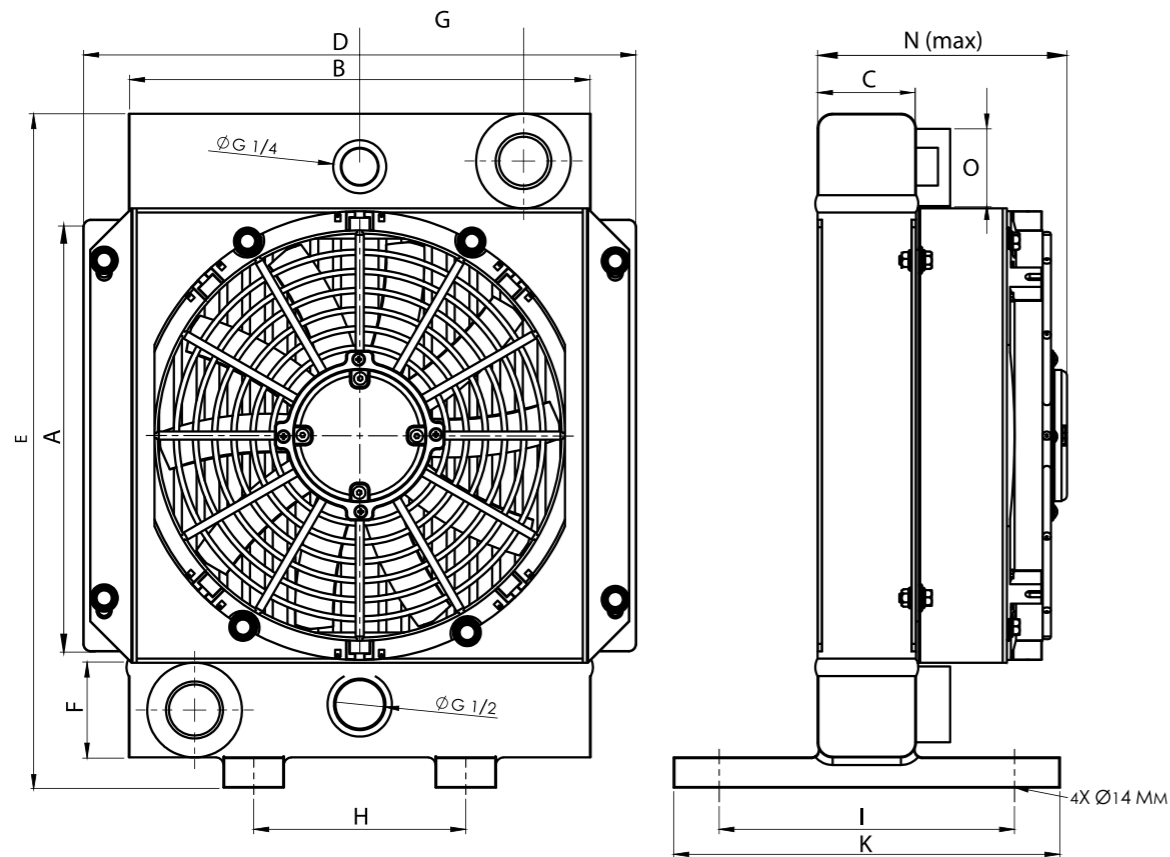
Dimensions	GM-MCM1	GM-MCM2	GM-MCM3	GM-MCM4	GM-MCM5	GM-MCM6	GM-MCM7	GM-MCM8	GM-MCM9	GM-MCM10	GM-MCM11
A	200	300	400	400	550	650	790	800	1025	1025	1170
B	195	305	395	395	410	560	560	650	010	910	1200
C	63	63	63	94	94 (63)	94	94	140	94	113	140
D	254	360	452	452	467	612	613	723	992	992	1270
E	315	415	515	535	690	790	940	960	1350	1350	1520
F	45	45	45	63	63	63	70	70	75	75	70
G	65	115	160	160	165	235	235	280	390	390	532
H	80	150	200	200	200	310	310	400	440	440	525
I	140	190	190	240	240	240	240	240	215	215	200
K	200	250	250	300	300	300	300	300	580	580	750
L	-	-	-	-	-	-	-	-	-	-	-
M	-	-	-	-	-	-	-	-	-	-	-
N (max)	175	370	400	430	440	450	450	590 app	650 app	790 app	900 app
O	1"BSP	1"BSP	1"BSP	1"BSP	1 1/4"BSP (1"BSP)	1 1/4"BSP	1 1/4"BSP	1 1/2"BSP	-	-	-

5. DIMENSIONS OF THE COOLERS BETWEEN GM-MCM1 AND GM-MCM7

6. DIMENSIONS OF THE COOLERS BETWEEN GM-MCM8 AND GM-MCM11

GM-MCM SERIES  
GEMMA HYDRAULIC OIL COOLER

OIL COOLERS  
YAĞ SOĞUTUCULAR



GM-MCM SERIES  
GEMMA HYDRAULIC OIL COOLER

OIL COOLERS  
YAĞ SOĞUTUCULAR