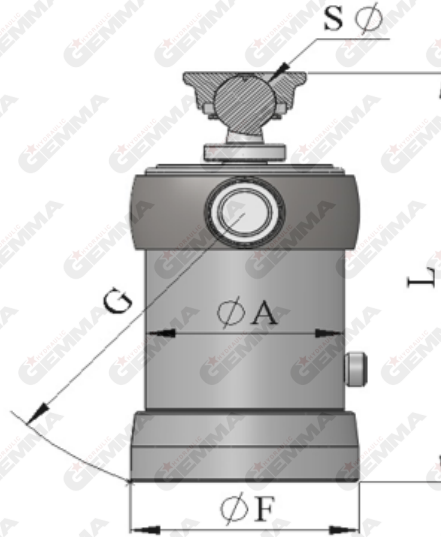
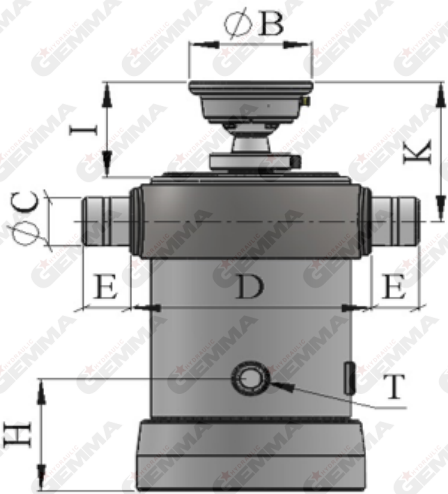


UNDERBODY TELESCOPIC CYLINDER

GMCHBU SERIES



GMCHBU SERIES
GMCHBU SERISI

UNDERBODY TELESCOPIC CYLINDER
ALTAN KALDIRMALI SİLİNDİRLER

GMCHBU SERIES 7 STAGE TELESCOPIC CYLINDERS

Product Code	"ØA (mm)"	"ØB (mm)"	"ØC (mm)"	"D (mm)"	"E (mm)"	"F (mm)"	"G (mm)"	"H (mm)"	"I (mm)"	"J (mm)"	"K (mm)"	"L (mm)"	T	"Oil Volume (lt)"	"Product Weight (kg)"	190 bar Lifting Capacity (Tones)	220 bar Lifting Capacity (Tones)	250 bar Lifting Capacity (Tones)
GMCHBU-215-2100-7	240	148	60	290	58	275	390	150	130	190	555	1" BSP	Ø75	41	154	70,4	81,4	92,5
GMCHBU-215-2450-7	240	148	60	290	58	275	437	150	130	190	605	1" BSP	Ø75	47	167	70,4	81,4	92,5

GMCHBU SERIES 8 STAGE TELESCOPIC CYLINDERS

Product Code	"ØA (mm)"	"ØB (mm)"	"ØC (mm)"	"D (mm)"	"E (mm)"	"F (mm)"	"G (mm)"	"H (mm)"	"I (mm)"	"J (mm)"	"K (mm)"	"L (mm)"	T	"Oil Volume (lt)"	"Product Weight (kg)"	190 bar Lifting Capacity (Tones)	220 bar Lifting Capacity (Tones)	250 bar Lifting Capacity (Tones)
GMCHBU-215-0960-8	240	148	60	290	58	275	255	100	130	190	405	1" BSP	Ø75	16	105	70,4	81,4	92,5
GMCHBU-215-2000-8	240	148	60	290	58	275	344	150	130	190	505	1" BSP	Ø75	35	142	70,4	81,4	92,5
GMCHBU-215-2400-8	240	148	60	290	58	275	390	150	130	190	555	1" BSP	Ø75	41	155	70,4	81,4	92,5