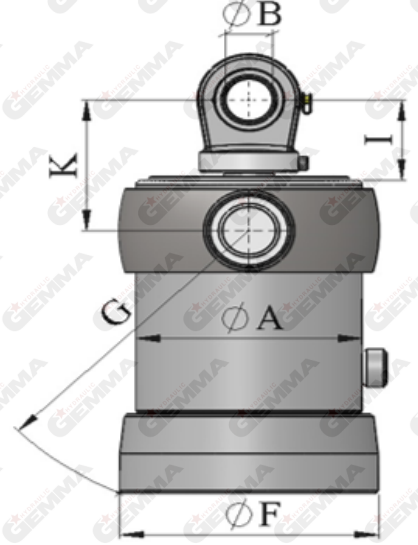
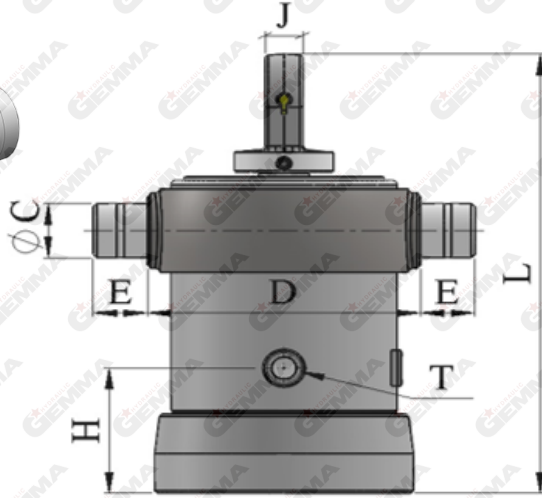




UNDERBODY TELESCOPIC CYLINDER

GMACHEU SERIES



GMACHEU SERIES
GMACHEU SERİSİ

UNDERBODY TELESCOPIC CYLINDER
ALTAN KALDIRMALI SİLİNDİRLER

GMACHEU SERIES 7 STAGE TELESCOPIC CYLINDERS

Product Code	"ØA (mm)"	"ØB (mm)"	"ØC (mm)"	"D (mm)"	"E (mm)"	"F (mm)"	"G (mm)"	"H (mm)"	"I (mm)"	"J (mm)"	"K (mm)"	"L (mm)"	T	"Oil Volume (lt)"	"Product Weight (kg)"	190 bar Lifting Capacity (Tones)	220 bar Lifting Capacity (Tones)	250 bar Lifting Capacity (Tones)
GMACHEU-215-0840-7	240	Ø30	60	290	58	-	235	100	77	40	137	382	1" BSP	16	100	70,4	81,4	92,5

GMACHEU SERIES 8 STAGE TELESCOPIC CYLINDERS

Product Code	"ØA (mm)"	"ØB (mm)"	"ØC (mm)"	"D (mm)"	"E (mm)"	"F (mm)"	"G (mm)"	"H (mm)"	"I (mm)"	"J (mm)"	"K (mm)"	"L (mm)"	T	"Oil Volume (lt)"	"Product Weight (kg)"	190 bar Lifting Capacity (Tones)	220 bar Lifting Capacity (Tones)	250 bar Lifting Capacity (Tones)
GMACHEU-215-0960-8	240	Ø30	60	290	58	-	235	100	77	40	137	382	1" BSP	17	101	70,4	81,4	92,5
GMACHEU-215-2000-8	240	GE 50	60	290	58	275	344	150	97	40	157	527	1" BSP	33	137	70,4	81,4	92,5