

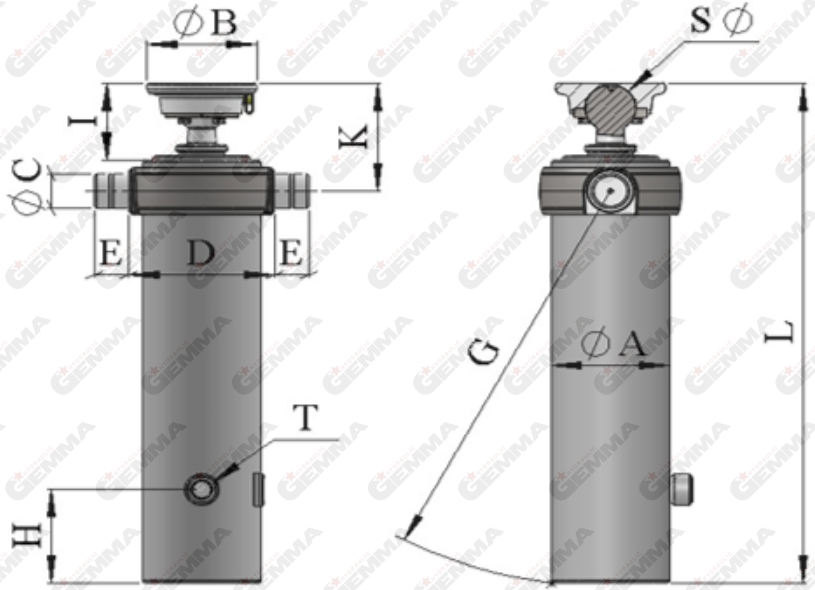


UNDERBODY TELESCOPIC CYLINDER

GMCLBU SERIES

GMCLBU SERIES
GMCLBU SERİSİ

UNDERBODY TELESCOPIC CYLINDER
ALT TAN KALDIRMALI SİLİNDİRLER



GMCLBU SERIES 2 STAGE TELESCOPIC CYLINDERS

Product Code	"ØA (mm)"	"ØB (mm)"	"ØC (mm)"	"D (mm)"	"E (mm)"	"G (mm)"	"H (mm)"	"I (mm)"	"K (mm)"	"L (mm)"	T	"SØ (mm)"	"Oil Volume (lt)"	"Product Weight (kg)"	190 bar Lifting Capacity (Tones)	220 bar Lifting Capacity (Tones)	250 bar Lifting Capacity (Tones)
GMCLBU-075-0400-2	98	108	45	115	45	294	120	99	155	444	3/4" BSP	Ø59	2	27	8,6	9,9	11,3
GMCLBU-075-0600-2	98	108	45	115	45	393	120	99	155	544	3/4" BSP	Ø59	3	31	8,6	9,9	11,3
GMCLBU-075-0800-2	98	108	45	115	45	492	120	99	155	644	3/4" BSP	Ø59	4	35	8,6	9,9	11,3
GMCLBU-095-0600-2	118	108	45	150	45	396	120	99	155	544	3/4" BSP	Ø59	5	38	13,7	15,9	18,1
GMCLBU-095-0800-2	118	108	45	150	45	496	120	99	155	644	3/4" BSP	Ø59	7	44	13,7	15,9	18,1
GMCLBU-115-0800-2	138	108	45	170	40	510	120	99	165	644	3/4" BSP	Ø59	10	55	20,1	23,3	26,5

GMCLBU SERIES 3 STAGE TELESCOPIC CYLINDERS

Product Code	"ØA (mm)"	"ØB (mm)"	"ØC (mm)"	"D (mm)"	"E (mm)"	"G (mm)"	"H (mm)"	"I (mm)"	"K (mm)"	"L (mm)"	T	"SØ (mm)"	"Oil Volume (lt)"	"Product Weight (kg)"	190 bar Lifting Capacity (Tones)	220 bar Lifting Capacity (Tones)	250 bar Lifting Capacity (Tones)
GMCLBU-075-0750-3	98	108	45	115	45	344	120	99	155	494	3/4" BSP	Ø59	2	25	8,6	9,9	11,3
GMCLBU-075-0900-3	98	108	45	115	45	393	120	99	155	544	3/4" BSP	Ø59	3	27	8,6	9,9	11,3
GMCLBU-075-1050-3	98	108	45	115	45	443	120	99	155	594	3/4" BSP	Ø59	4	29	8,6	9,9	11,3
GMCLBU-095-0600-2	118	108	45	150	45	396	120	99	155	544	3/4" BSP	Ø59	5	38	13,7	15,9	18,1
GMCLBU-095-0900-3	118	108	45	150	45	396	120	99	155	544	3/4" BSP	Ø59	5	42	13,7	15,9	18,1
GMCLBU-115-0900-3	138	108	45	170	40	411	120	99	165	544	3/4" BSP	Ø59	9	52	20,1	23,3	26,5
GMCLBU-115-1050-3	138	108	45	170	40	460	120	99	165	594	3/4" BSP	Ø59	10	56	20,1	23,3	26,5

GMCLBU SERIES 4 STAGE TELESCOPIC CYLINDERS

Product Code	"ØA (mm)"	"ØB (mm)"	"ØC (mm)"	"D (mm)"	"E (mm)"	"G (mm)"	"H (mm)"	"I (mm)"	"K (mm)"	"L (mm)"	T	"SØ (mm)"	"Oil Volume (lt)"	"Product Weight (kg)"	190 bar Lifting Capacity (Tones)	220 bar Lifting Capacity (Tones)	250 bar Lifting Capacity (Tones)
GMCLBU-095-0800-4	118	108	45	150	45	298	120	99	155	444	3/4" BSP	Ø59	4	34	13,7	15,9	18,1
GMCLBU-095-1200-4	118	108	45	150	45	396	120	99	155	544	3/4" BSP	Ø59	6	41	13,7	15,9	18,1
GMCLBU-115-0800-4	138	108	45	170	40	313	120	99	165	444	3/4" BSP	Ø59	6	47	20,1	23,3	26,5
GMCLBU-115-1000-4	138	108	45	170	40	362	120	99	165	494	3/4" BSP	Ø59	7	52	20,1	23,3	26,5
GMCLBU-115-1200-4	138	108	45	170	40	411	120	99	165	544	3/4" BSP	Ø59	9	56	20,1	23,3	26,5
GMCLBU-115-1600-4	138	108	45	170	40	510	120	99	165	644	3/4" BSP	Ø59	12	65	20,1	23,3	26,5

GMCLBU SERIES 5 STAGE TELESCOPIC CYLINDERS

Product Code	"ØA (mm)"	"ØB (mm)"	"ØC (mm)"	"D (mm)"	"E (mm)"	"G (mm)"	"H (mm)"	"I (mm)"	"K (mm)"	"L (mm)"	T	"SØ (mm)"	"Oil Volume (lt)"	"Product Weight (kg)"	190 bar Lifting Capacity (Tones)	220 bar Lifting Capacity (Tones)	250 bar Lifting Capacity (Tones)
GMCLBU-115-1000-5	138	108	45	170	40	313	120	99	165	444	3/4" BSP	Ø59	6	46	20,1	23,3	26,5
GMCLBU-115-1250-5	138	108	45	170	40	362	120	99	165	494	3/4" BSP	Ø59	8	50	20,1	23,3	26,5
GMCLBU-115-1500-5	138	108	45	170	40	411	120	99	165	544	3/4" BSP	Ø59	9	55	20,1	23,3	26,5
GMCLBU-115-1750-5	138	108	45	170	40	460	120	99	165	594	3/4" BSP	Ø59	11	60	20,1	23,3	26,5
GMCLBU-115-2000-5	138	108	45	170	40	510	120	99	165	644	3/4" BSP	Ø59	12	64	20,1	23,3	26,5

GMCLBU SERIES
GMCLBU SERİSİ

UNDERBODY TELESCOPIC CYLINDER
ALTAN KALDIRMALI SİLİNDİRLER