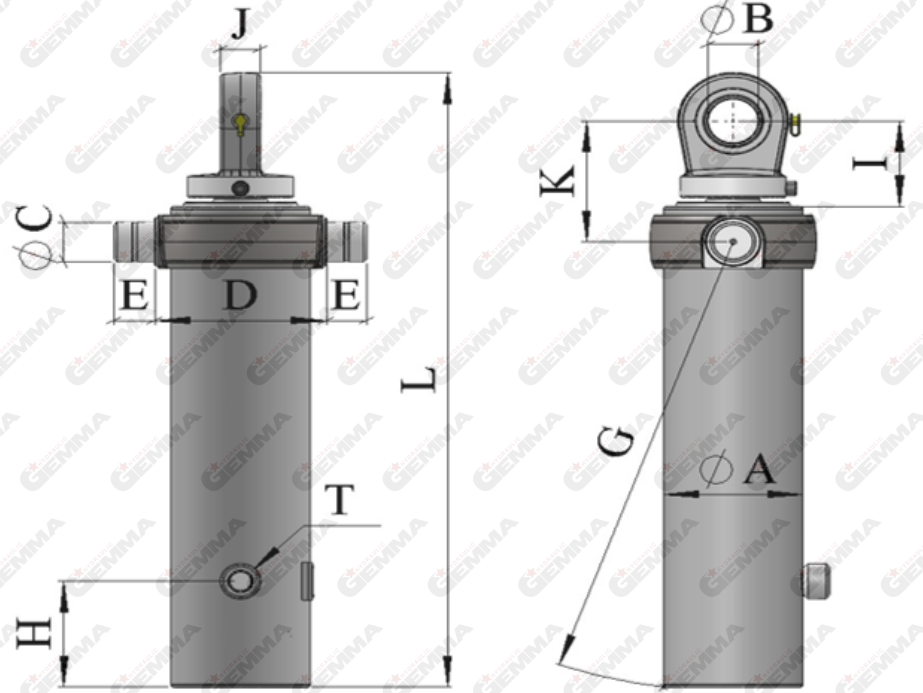




# UNDERBODY TELESCOPIC CYLINDER

## GMCLEU SERIES



GMCLEU SERIES  
GMCLEU SERİSİ

UNDERBODY TELESCOPIC CYLINDER  
ALTAN KALDIRMALI SİLİNDİRLER

### GMCLEU SERIES 2 STAGE TELESCOPIC CYLINDERS

Product Code	"ØA (mm)"	"ØB (mm)"	"ØC (mm)"	"D (mm)"	"E (mm)"	"G (mm)"	"H (mm)"	"I (mm)"	"J (mm)"	"K (mm)"	"L (mm)"	T	"Oil Volume (lt)"	"Product Weight (kg)"	190 bar Lifting Capacity (Tones)	220 bar Lifting Capacity (Tones)	250 bar Lifting Capacity (Tones)
GMCLEU-075-0400-2	98	GE 50	45	115	45	294	120	97	40	152	497	3/4" BSP	2	24	8,6	9,9	11,3
GMCLEU-075-0600-2	98	GE 50	45	115	45	393	120	97	40	152	597	3/4" BSP	3	29	8,6	9,9	11,3
GMCLEU-075-0800-2	98	GE 50	45	115	45	492	120	97	40	152	697	3/4" BSP	4	33	8,6	9,9	11,3
GMCLEU-095-0600-2	118	GE 50	45	150	45	396	120	97	40	152	597	3/4" BSP	5	36	13,7	15,9	18,1
GMCLEU-095-0800-2	118	GE 50	45	150	45	496	120	97	40	152	697	3/4" BSP	7	41	13,7	15,9	18,1
GMCLEU-115-0800-2	138	GE 50	45	170	40	510	120	100	40	160	700	3/4" BSP	10	53	20,1	23,3	26,5

### GMCLEU SERIES 3 STAGE TELESCOPIC CYLINDERS

Product Code	"ØA (mm)"	"ØB (mm)"	"ØC (mm)"	"D (mm)"	"E (mm)"	"G (mm)"	"H (mm)"	"I (mm)"	"J (mm)"	"K (mm)"	"L (mm)"	T	"Oil Volume (lt)"	"Product Weight (kg)"	190 bar Lifting Capacity (Tones)	220 bar Lifting Capacity (Tones)	250 bar Lifting Capacity (Tones)
GMCLEU-095-0900-3	118	GE 50	45	150	45	396	120	97	40	152	597	3/4" BSP	5	40	13,7	15,9	18,1
GMCLEU-115-0900-3	138	GE 50	45	170	40	411	120	97	40	157	597	3/4" BSP	9	49	20,1	23,3	26,5
GMCLEU-115-1050-3	138	GE 50	45	170	40	460	120	97	40	157	647	3/4" BSP	10	53	20,1	23,3	26,5

### GMCLEU SERIES 4 STAGE TELESCOPIC CYLINDERS

Product Code	"ØA (mm)"	"ØB (mm)"	"ØC (mm)"	"D (mm)"	"E (mm)"	"G (mm)"	"H (mm)"	"I (mm)"	"J (mm)"	"K (mm)"	"L (mm)"	T	"Oil Volume (lt)"	"Product Weight (kg)"	190 bar Lifting Capacity (Tones)	220 bar Lifting Capacity (Tones)	250 bar Lifting Capacity (Tones)
GMCLEU-115-0800-4	138	GE 50	45	170	40	313	120	97	40	157	497	3/4" BSP	6	45	20,1	23,3	26,5
GMCLEU-115-1000-4	138	GE 50	45	170	40	362	120	97	40	157	547	3/4" BSP	7	50	20,1	23,3	26,5
GMCLEU-115-1200-4	138	GE 50	45	170	40	411	120	97	40	157	597	3/4" BSP	9	54	20,1	23,3	26,5
GMCLEU-115-1600-4	138	GE 50	45	170	40	510	120	97	40	157	697	3/4" BSP	12	63	20,1	23,3	26,5