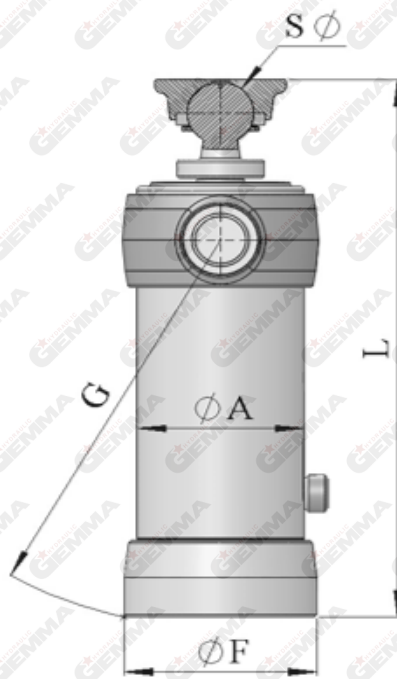
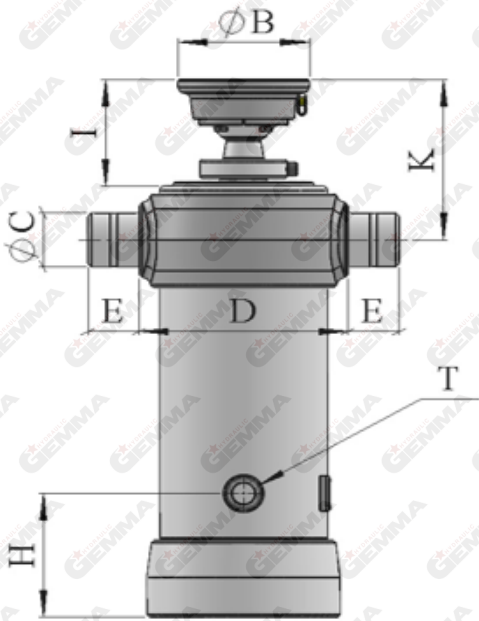


UNDERBODY TELESCOPIC CYLINDER

GMCMBU SERIES



GMCMBU SERIES 3 STAGE TELESCOPIC CYLINDERS

Product Code	"ØA (mm)"	"ØB (mm)"	"ØC (mm)"	"D (mm)"	"E (mm)"	"F (mm)"	"G (mm)"	"H (mm)"	"I (mm)"	"K (mm)"	"L (mm)"	T	"SØ (mm)"	"Oil Volume (lt)"	"Product Weight (kg)"	190 bar Lifting Capacity (Tones)	220 bar Lifting Capacity (Tones)	250 bar Lifting Capacity (Tones)
GMCMBU-135-0750-3	163	148	60	204	58	187	322	150	130	195	503	3/4" BSP	Ø75	11	69	27,7	32,1	36,5
GMCMBU-135-1050-3	163	148	60	204	58	187	419	150	130	195	603	3/4" BSP	Ø75	15	80	27,7	32,1	36,5
GMCMBU-135-1350-3	163	148	60	204	58	187	517	150	130	195	703	3/4" BSP	Ø75	19	90	27,7	32,1	36,5
GMCMBU-160-1350-3	188	148	60	234	58	217	519	150	130	195	703	1" BSP	Ø75	26	111	38,9	45,1	51,3
GMCMBU-160-1650-3	188	148	60	234	58	217	667	150	130	195	853	1" BSP	Ø75	32	130	38,9	45,1	51,3
GMCMBU-160-2250-3	188	148	60	234	58	217	865	150	130	195	1053	1" BSP	Ø75	43	156	38,9	45,1	51,3

GMCMBU SERIES 4 STAGE TELESCOPIC CYLINDERS

Product Code	"ØA (mm)"	"ØB (mm)"	"ØC (mm)"	"D (mm)"	"E (mm)"	"F (mm)"	"G (mm)"	"H (mm)"	"I (mm)"	"K (mm)"	"L (mm)"	T	"SØ (mm)"	"Oil Volume (lt)"	"Product Weight (kg)"	190 bar Lifting Capacity (Tones)	220 bar Lifting Capacity (Tones)	250 bar Lifting Capacity (Tones)
GMCMBU-135-1000-4	163	148	60	204	58	187	322	150	130	195	503	3/4" BSP	Ø75	11	72	27,7	32,1	36,5
GMCMBU-135-1200-4	163	148	60	204	58	187	370	150	130	195	553	3/4" BSP	Ø75	13	78	27,7	32,1	36,5
GMCMBU-135-1400-4	163	148	60	204	58	187	419	150	130	195	603	3/4" BSP	Ø75	16	84	27,7	32,1	36,5
GMCMBU-135-1800-4	163	148	60	204	58	187	517	150	130	195	703	3/4" BSP	Ø75	20	95	27,7	32,1	36,5
GMCMBU-160-0800-4	188	148	60	234	58	217	280	150	130	195	453	1" BSP	Ø75	13	81	38,9	45,1	51,3
GMCMBU-160-1000-4	188	148	60	234	58	217	327	150	130	195	503	1" BSP	Ø75	16	89	38,9	45,1	51,3
GMCMBU-160-1800-4	188	148	60	234	58	217	569	150	130	195	753	1" BSP	Ø75	28	118	38,9	45,1	51,3
GMCMBU-160-2200-4	188	148	60	234	58	217	667	150	130	195	853	1" BSP	Ø75	34	140	38,9	45,1	51,3
GMCMBU-160-2600-4	188	148	60	234	58	217	766	150	130	195	953	1" BSP	Ø75	41	154	38,9	45,1	51,3
GMCMBU-160-3000-4	188	148	60	234	58	217	865	150	130	195	1053	1" BSP	Ø75	47	169	38,9	45,1	51,3
GMCMBU-160-2000-4	188	148	60	234	58	217	618	150	130	195	803	1" BSP	Ø75	31	132	38,9	45,1	51,3
GMCMBU-185-1000-4	218	148	60	260	58	245	331	150	130	195	503	1" BSP	Ø75	22	106	52,1	60,3	68,5



GMCMBU SERIES 5 STAGE TELESCOPIC CYLINDERS

Product Code	"ØA (mm)"	"ØB (mm)"	"ØC (mm)"	"D (mm)"	"E (mm)"	"F (mm)"	"G (mm)"	"H (mm)"	"I (mm)"	"K (mm)"	"L (mm)"	T	"SØ (mm)"	"Oil Volume (lt)"	"Product Weight (kg)"	190 bar Lifting Capacity (Tonnes)	220 bar Lifting Capacity (Tonnes)	250 bar Lifting Capacity (Tonnes)
GMCMBU-135-1500-5	163	148	60	204	58	187	370	150	130	195	553	3/4" BSP	Ø75	14	82	27,7	32,1	36,5
GMCMBU-135-1000-5	163	148	60	204	58	187	274	150	130	195	453	3/4" BSP	Ø75	9	69	27,7	32,1	36,5
GMCMBU-135-1250-5	163	148	60	204	58	187	322	150	130	195	503	3/4" BSP	Ø75	12	76	27,7	32,1	36,5
GMCMBU-135-2000-5	163	148	60	204	58	187	467	150	130	195	653	3/4" BSP	Ø75	18	95	27,7	32,1	36,5
GMCMBU-135-2250-5	163	148	60	204	58	187	517	150	130	195	703	3/4" BSP	Ø75	20	101	27,7	32,1	36,5
GMCMBU-135-2500-5	163	148	60	204	58	187	615	150	130	195	803	3/4" BSP	Ø75	22	114	27,7	32,1	36,5
GMCMBU-160-1000-5	188	148	60	234	58	217	280	150	130	195	453	1" BSP	Ø75	14	84	38,9	45,1	51,3
GMCMBU-160-1250-5	188	148	60	234	58	217	327	150	130	195	503	1" BSP	Ø75	17	91	38,9	45,1	51,3
GMCMBU-160-1500-5	188	148	60	234	58	217	374	150	130	195	553	1" BSP	Ø75	20	99	38,9	45,1	51,3
GMCMBU-160-2500-5	188	148	60	234	58	217	618	150	130	195	803	1" BSP	Ø75	33	139	38,9	45,1	51,3
GMCMBU-160-2000-5	188	148	60	234	58	217	471	150	130	195	653	1" BSP	Ø75	26	115	38,9	45,1	51,3
GMCMBU-160-2250-5	188	148	60	234	58	217	519	150	130	195	703	1" BSP	Ø75	30	123	38,9	45,1	51,3
GMCMBU-160-2750-5	188	148	60	234	58	217	667	150	130	195	853	1" BSP	Ø75	36	147	38,9	45,1	51,3
GMCMBU-185-2250-5	218	148	60	260	58	245	523	150	130	195	703	1" BSP	Ø75	41	160	52,1	60,3	68,5
GMCMBU-185-2500-5	218	148	60	260	58	245	620	150	130	195	803	1" BSP	Ø75	46	181	52,1	60,3	68,5
GMCMBU-185-2750-5	218	148	60	260	58	245	669	150	130	195	853	1" BSP	Ø75	50	191	52,1	60,3	68,5

GMCMBU SERIES 6 STAGE TELESCOPIC CYLINDERS

Product Code	"ØA (mm)"	"ØB (mm)"	"ØC (mm)"	"D (mm)"	"E (mm)"	"F (mm)"	"G (mm)"	"H (mm)"	"I (mm)"	"K (mm)"	"L (mm)"	T	"SØ (mm)"	"Oil Volume (lt)"	"Product Weight (kg)"	190 bar Lifting Capacity (Tonnes)	220 bar Lifting Capacity (Tonnes)	250 bar Lifting Capacity (Tonnes)
GMCMBU-160-1500-6	188	148	60	234	58	217	327	150	130	195	503	1" BSP	Ø75	17	95	38,9	45,1	51,3
GMCMBU-160-1800-6	188	148	60	234	58	217	374	150	130	195	553	1" BSP	Ø75	20	104	38,9	45,1	51,3
GMCMBU-160-2400-6	188	148	60	234	58	217	471	150	130	195	653	1" BSP	Ø75	27	121	38,9	45,1	51,3
GMCMBU-160-2700-6	188	148	60	234	58	217	569	150	130	195	753	1" BSP	Ø75	30	129	38,9	45,1	51,3
GMCMBU-160-3000-6	188	148	60	234	58	217	618	150	130	195	803	1" BSP	Ø75	33	146	38,9	45,1	51,3
GMCMBU-160-3300-6	188	148	60	234	58	217	667	150	130	195	853	1" BSP	Ø75	37	155	38,9	45,1	51,3
GMCMBU-185-0720-6	218	148	60	260	58	245	235	100	130	195	395	1" BSP	Ø75	11	89	52,1	60,3	68,5
GMCMBU-185-1800-6	218	148	60	260	58	245	378	150	130	195	553	1" BSP	Ø75	29	132	52,1	60,3	68,5
GMCMBU-185-2400-6	218	148	60	260	58	245	474	150	130	195	653	1" BSP	Ø75	38	154	52,1	60,3	68,5
GMCMBU-185-2700-6	218	148	60	260	58	245	523	150	130	195	703	1" BSP	Ø75	43	165	52,1	60,3	68,5
GMCMBU-185-3000-6	218	148	60	260	58	245	620	150	130	195	803	1" BSP	Ø75	47	187	52,1	60,3	68,5

GMCMBU SERIES 7 STAGE TELESCOPIC CYLINDERS

Product Code	"ØA (mm)"	"ØB (mm)"	"ØC (mm)"	"D (mm)"	"E (mm)"	"F (mm)"	"G (mm)"	"H (mm)"	"I (mm)"	"K (mm)"	"L (mm)"	T	"SØ (mm)"	"Oil Volume (lt)"	"Product Weight (kg)"	190 bar Lifting Capacity (Tonnes)	220 bar Lifting Capacity (Tonnes)	250 bar Lifting Capacity (Tonnes)
GMCMBU-160-1750-7	188	148	60	234	58	217	327	150	130	195	503	1" BSP	Ø75	17	94	38,9	45,1	51,3
GMCMBU-160-2100-7	188	148	60	234	58	217	374	150	130	195	553	1" BSP	Ø75	21	103	38,9	45,1	51,3
GMCMBU-160-2800-7	188	148	60	234	58	217	471	150	130	195	653	1" BSP	Ø75	27	120	38,9	45,1	51,3
GMCMBU-185-0840-7	218	148	60	260	58	245	235	100	130	195	395	1" BSP	Ø75	12	91	52,1	60,3	68,5
GMCMBU-185-1750-7	218	148	60	260	58	245	331	150	130	195	503	1" BSP	Ø75	25	122	52,1	60,3	68,5
GMCMBU-185-2100-7	218	148	60	260	58	245	378	150	130	195	553	1" BSP	Ø75	29	134	52,1	60,3	68,5

GMCMBU SERIES 8 STAGE TELESCOPIC CYLINDERS

Product Code	"ØA (mm)"	"ØB (mm)"	"ØC (mm)"	"D (mm)"	"E (mm)"	"F (mm)"	"G (mm)"	"H (mm)"	"I (mm)"	"K (mm)"	"L (mm)"	T	"SØ (mm)"	"Oil Volume (lt)"	"Product Weight (kg)"	190 bar Lifting Capacity (Tonnes)	220 bar Lifting Capacity (Tonnes)	250 bar Lifting Capacity (Tonnes)
GMCMBU-185-2000-8	218	148	60	260	58	245	331	150	130	195	503	1" BSP	Ø75	25	123	52,1	60,3	68,5
GMCMBU-185-2400-8	218	148	60	260	58	245	378	150	130	195	553	1" BSP	Ø75	29	135	52,1	60,3	68,5
GMCMBU-185-4000-8	218	148	60	260	58	245	620	150	130	195	803	1" BSP	Ø75	48	194	52,1	60,3	68,5

GMCMBU SERIES
GMCMBU SERİSİ

UNDERBODY TELESCOPIC CYLINDER
ALT TAN KALDIRMALI SİLİNDİRLER