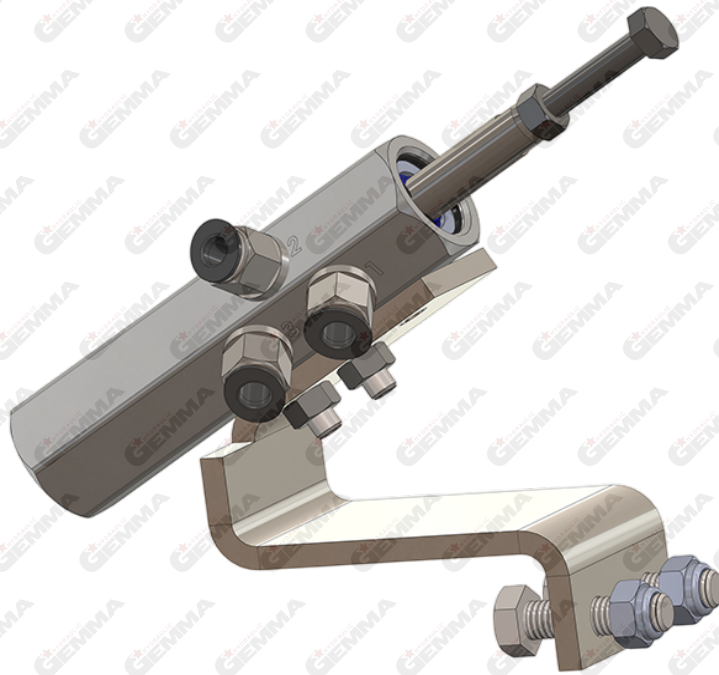


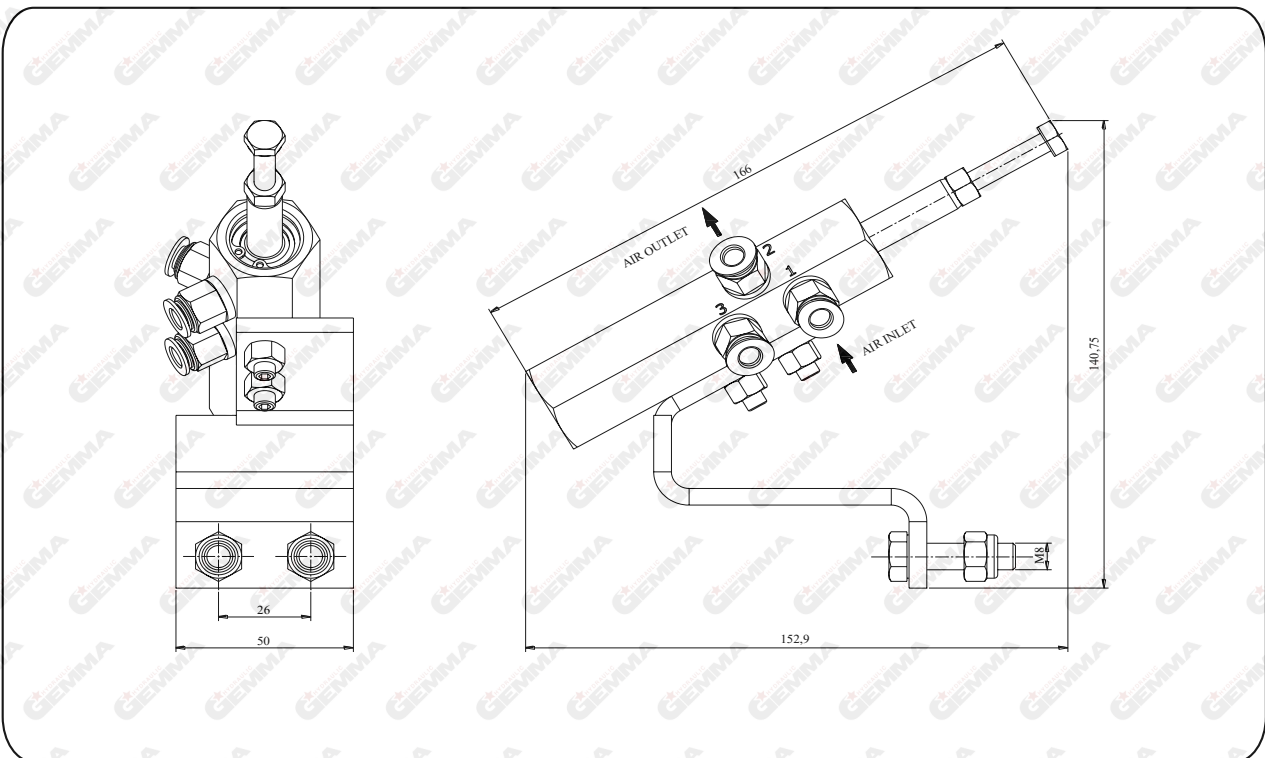
# KNOCK-OFF VALVE PNEUMATIC 30mm

**GKV-03B**



VALVES  
VENTİLLER

HYDRAULIC EQUIPMENT  
HİDROLİK EKİPMANLAR



SPECIFICATIONS	
Air inlet 1-3	G 1/8"
Air outlet 2	G 1/8"
Max.air pressure	12 bar
Air temperature range	-20 & 80 °C
Weight	0,3kg