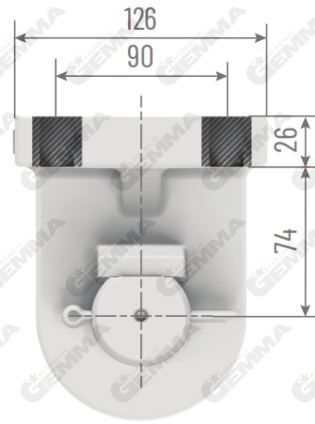
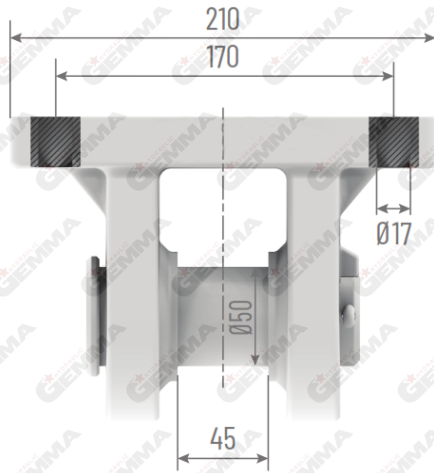


LIFTING BRACKET FOR FRONT END CYLINDER

GM-KBR.02 SERIES



Product Code	Description	Weight
GM-KBR.02	Lifting Bracket Ø50	11,5 kg
GM-KBR.02P	Lifting Bracket Ø50 With Plate	16 kg

GM-KBR.02 SERIES
GM-KBR.02 SERISI

BRACKETS
BRAKETLER