

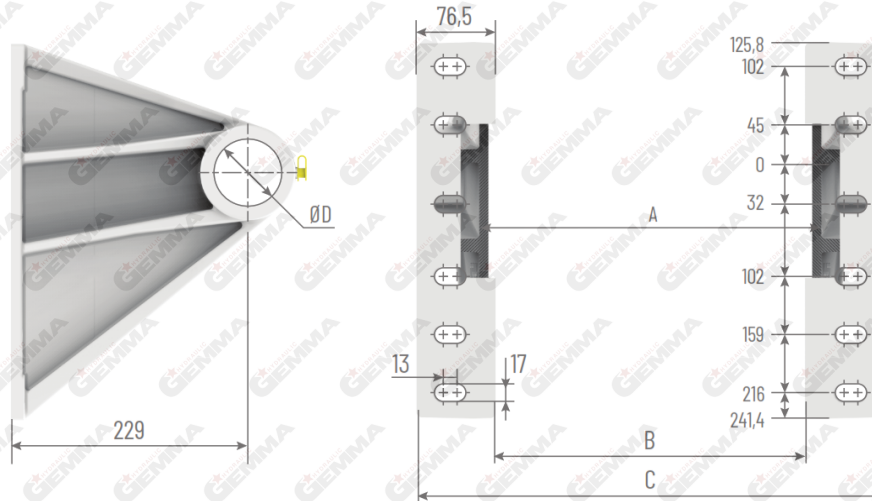


# LIFTING BRACKET FOR FRONT END CYLINDER

GM-KBR.04 SERIES

GM-KBR.04 SERIES  
GM-KBR.04 SERİSİ

BRACKETS  
BRACKETLER



Product Code	Description	Weight
GM-KBR.04-60	Lifting Bracket Ø60	18,5 kg
GM-KBR.04-60P	Lifting Bracket Ø60 With Plate	28,5 kg
GM-KBR.04	Lifting Bracket Ø65	18,5 kg
GM-KBR.04P	Lifting Bracket Ø65 With Plate	28,5 kg
GM-KBR.04-70	Lifting Bracket Ø70	18,5 kg
GM-KBR.04-70P	Lifting Bracket Ø70 With Plate	28,5 kg

Stem Diameter ØA (mm)	A (mm)	B (mm)	C (mm)	ØD (mm)
Ø138	179	151	226	Ø60
Ø163	206	178	253	Ø60
Ø188	236	208	283	Ø60
Ø218	262	234	309	Ø60
Ø240	292	264	339	Ø60
Ø270	322	294	369	Ø60