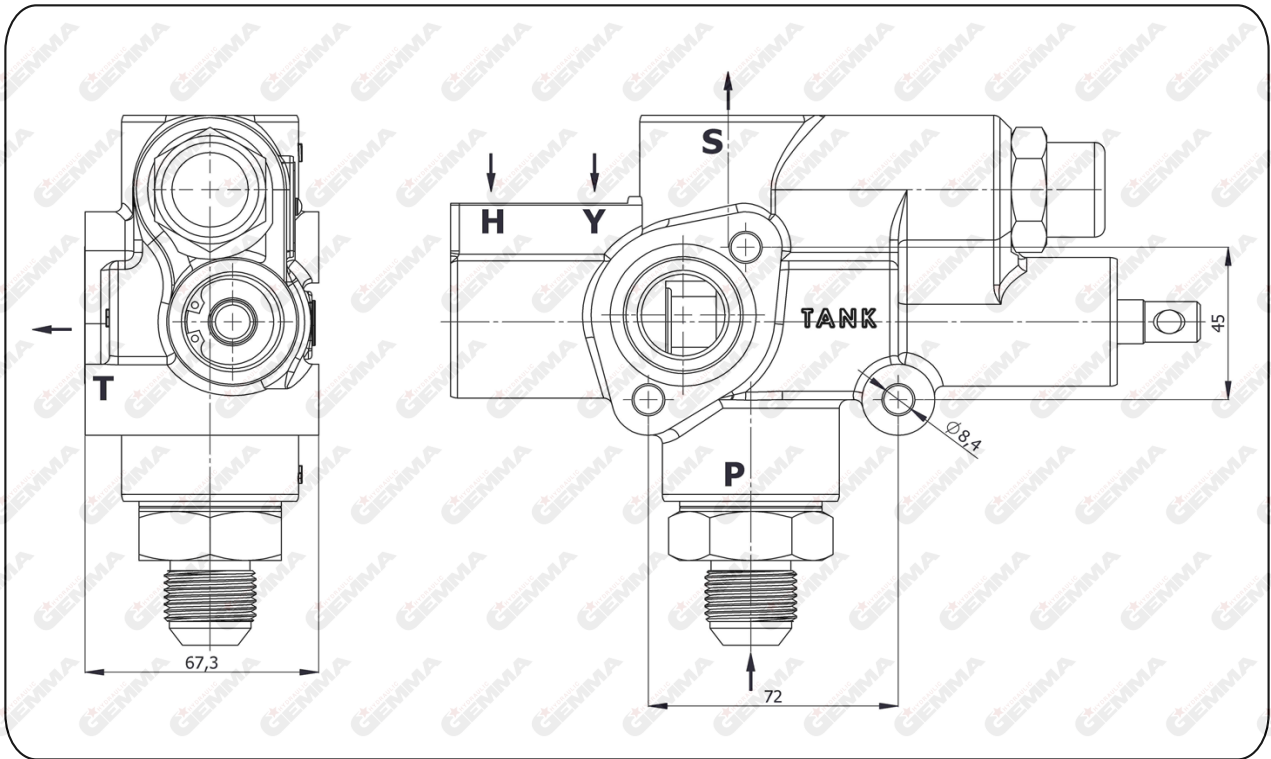
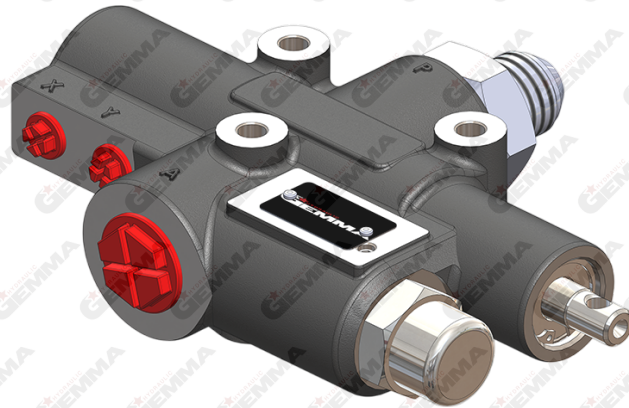




OPEN LOOP DIRECTIONAL VALVE 3 BOLT

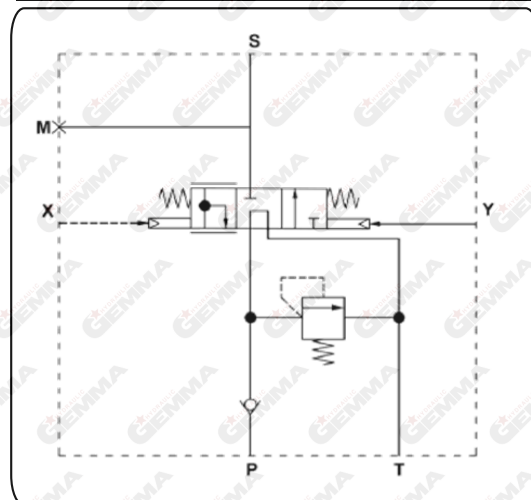
36001060



VALVES
VENTİLLER

HYDRAULIC EQUIPMENT
HİDROLİK EKİPMANLAR

FUNCTIONAL DIAGRAM



SPECIFICATIONS

Cylinder connection	R 3/4"
Pump connection	R 3/4"
Tank connection	R 3/4"
Fast lower	R 1/4"
Slow lower	R 1/4"
Max.working pressure	190 bar
Max. Flow	140 L/dak
Oil Temperature Range	-20 & 80 °C
Weight	4,15 kg