

Features

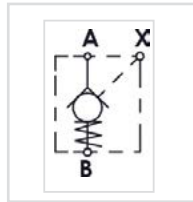
- Pre-fill (flange-clamped type)
- Body material steel DIN 1.7225,
- Fluid viscosity 10 - 500 mm²/s (10-420 cSt),
- For mineral oil ISO 6743/4,
- Leakage 0 – 0,25 cm³/min

Özellikleri

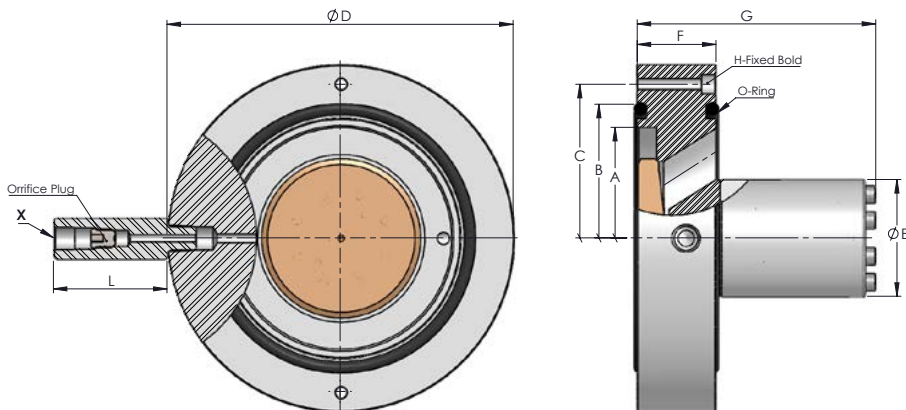
- Ön Dolum (Flanş sıkmalı tip)
- Gövde malzemesi çelik DIN 1.7225,
- Akışkan viskozitesi 10 - 500 mm²/s (10-420 cSt),
- ISO 6743/4 Mineral yağlar için,
- İç kaçak 0 – 0,25 cm³/min


Order Code - Sipariş Kodu

SVF	80		
Model - Tip	Size - Ebat		
SVF	25	- 63	- 160
	32	- 80	- 200
	40	- 100	- 250
	50	- 125	

Circuit - Şema

General Parameters and Dimensions (mm) – Genel parametreler ve ölçüler (mm)

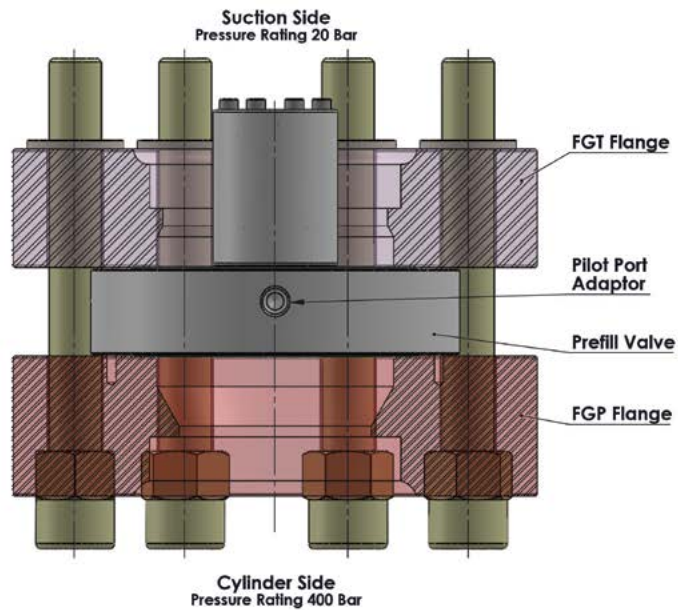
Size - Ölçü	ØA	ØB	ØC	ØD	ØE	F	G	L	X	H-Fixed Bolts Tespit Civatası	O-Ring
SVF-25	38	53	-	80	28	27	65	62	G 1/4"	-	1517-3
SVF-32	48	63	-	82	33	28	70	62	G 1/4"	-	1517-6
SVF-40	56.5	73	91	108	39	28	71.5	62	G 1/4"	M4X30	1517-9
SVF-50	72	90	112	128	42	29	91	62	G 1/4"	M4X30	1517-14
SVF-63	87	105	125	143	50	33.5	106	62	G 1/4"	M5X35	P95
SVF-80	108	130.5	150	169	57	38.5	115	62	G 1/4"	M5X40	P120
SVF-100	130	155	185	210	70	44	150	62	G 1/4"	M6X45	P145
SVF-125	170	200	226	248	89	51	195	62	G 1/4"	M6X60	P185
SVF-160	218	250	284	310	120	70	230	70	G 3/8"	M8X70	P235
SVF-200	272	310	355	390	145	95	300	85	G 1/2"	M10X95	P295
SVF-250	350	398	445	490	176	110	390	85	G 1/2"	M12X115	P375

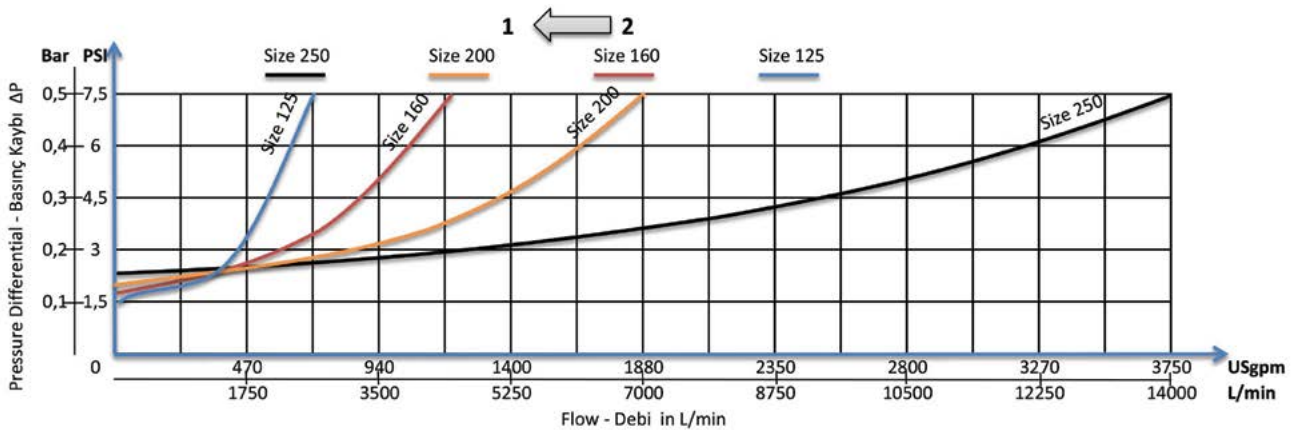
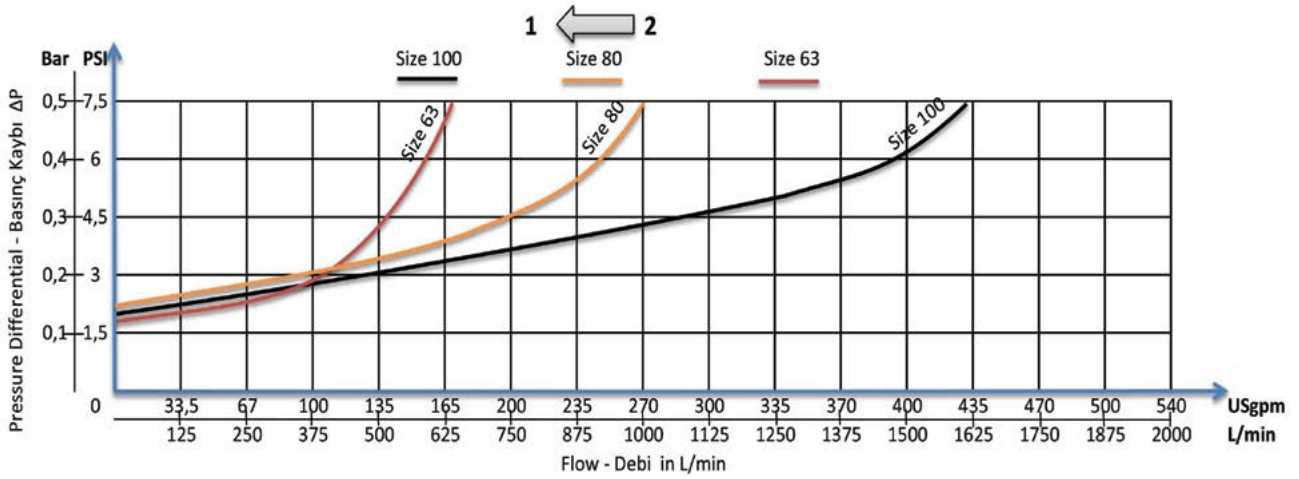
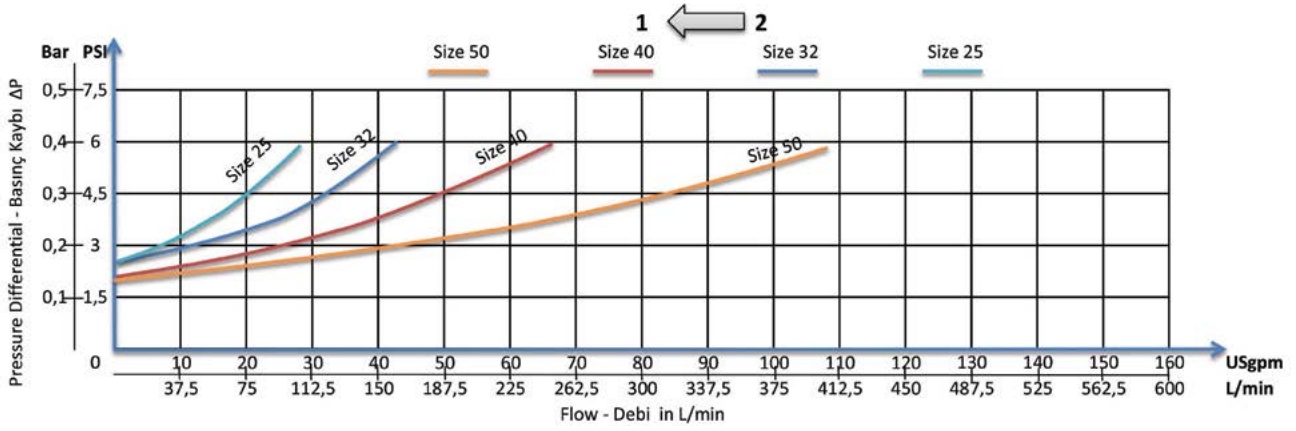


Size - Ölçü	Flow - Debi Qmax (L/min)	Op.Pressure Çalışma Basıncı Pmax.(Bar)	Pilot Ratio Pilot Oranı	Bolts Civata	Pipe Size Boru Ebadı	Weight Ağırlık
						Kg
SVF-25	100	400	4.3	M12 x 4	1 1/2"	1.2
SVF-32	160	400	3.6	M16 x 4	2"	1.3
SVF-40	250	400	3.3	M20 x 4	2 1/2"	2.2
SVF-50	400	400	3.8	M16 x 6	3"	2.9
SVF-63	630	400	4.2	M16 x 8	3 1/2"	4.5
SVF-80	1000	400	4.3	M20 x 8	4"	6.2
SVF-100	1600	400	4.3	M25 x 10	5"	12.3
SVF-125	2500	400	4.3	M25 x 16	8"	23
SVF-160	4000	400	4.2	M30 x 16	10"	50
SVF-200	7000	280	4.1	M30 x 20	12"	85
SVF-250	15000	280	4.4	M30 x 24	16"	156

Orifice Plug Options – Orifis tapa opsiyonu

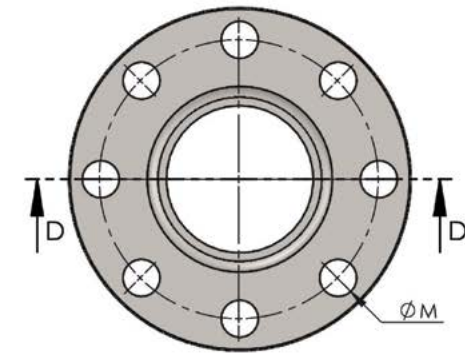
Size - Ölçü	Orifice Orifis	Plug Tapa
SVF-25,32,40,50	0,7 mm	G 1/8"
SVF-63	0,8 mm	
SVF-80	1,0 mm	
SVF-100	1,2 mm	
SVF-125,160	1,5 mm	G 1/4"
SVF-200	1,8 mm	
SVF-250	2,5 mm	



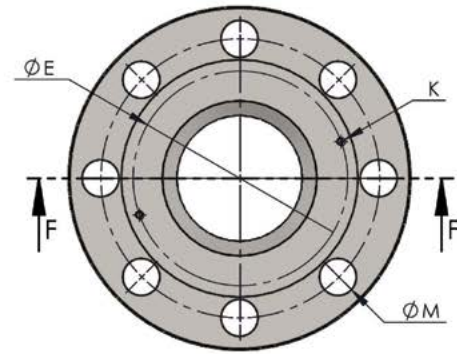
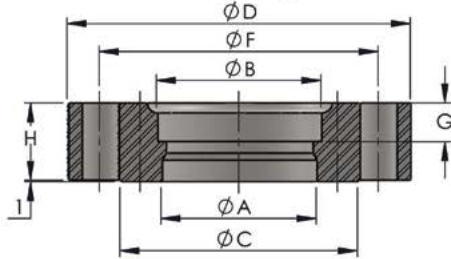


FGT / FGP Flange Dimensions – FGT / FGP Flanş Ölçüleri

Size - Ölçü	ØD	ØF	ØB	ØA	ØE	ØC	H	G	K	M
FGP – 25 – M12/1,5" FGT – 25 – M12/1,5"	126	95	48,3	38	-	80	33	15	-	4 – Ø14
FGP – 32 – M16/2" FGT – 32 – M16/2"	135	103,2	60,25	48	-	82	33	15	-	4 – Ø18
FGP – 40 – M20/2,5" FGT – 40 – M20/2,5"	165	130	77	57	94	107	42	15	2 – M4	4 – Ø22
FGP – 50 – M16/3" FGT – 50 – M16/3"	180	146	90	72	112	128	42	15	2 – M4	6 – Ø18
FGP – 63 – M16/3,5" FGT – 63 – M16/3,5"	195	161	102,2	87	125	143	52/47	15	2 – M5	8 – Ø18
FGP – 80 – M20/4" FGT – 80 – M20/4"	230	192	115,2	108	150	169	52/47	15	2 – M5	8 – Ø22
FGP – 100 – M25/5" FGT – 100 – M25/5"	280	239	141	130	185	210	68/62	25	2 – M6	10 – Ø27
FGP – 125 – M25/8" FGT – 125 – M25/8"	352	300	219,2	168	226	249	77/67	25	2 – M6	16 – Ø27
FGP – 160 – M30/10" FGT – 160 – M30/10"	422	367	273,1	218	284	311	87/77	30	2 – M6	16 – Ø33
FGP – 200 – M30/12" FGT – 200 – M30/12"	510	442	324	270	355	391	97/87	30	2 – M10	20 – Ø33
FGP – 250 – M30/16" FGT – 250 – M30/16"	630	555	407	350	445	492	107/97	30	2 – M12	24 – Ø33



FGT Flange



FGP Flange

