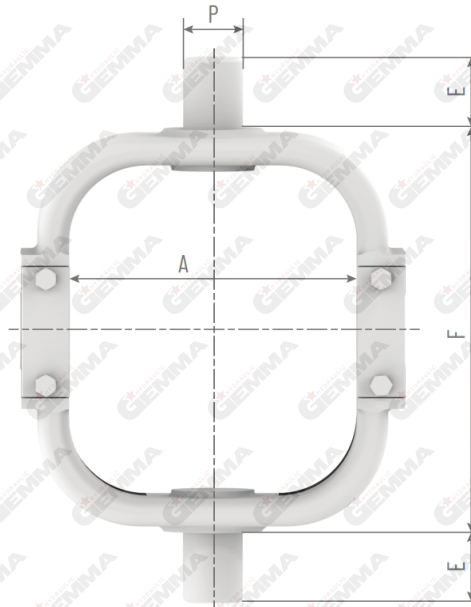
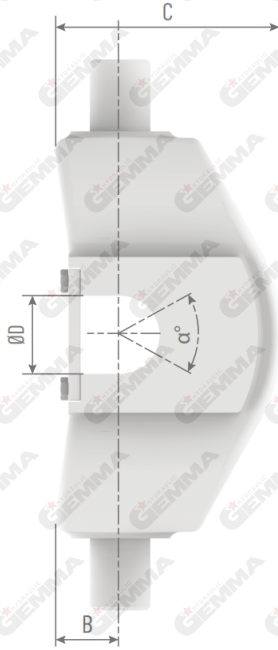




CRADLE

GMBC SERIES - GMBPC SERIES



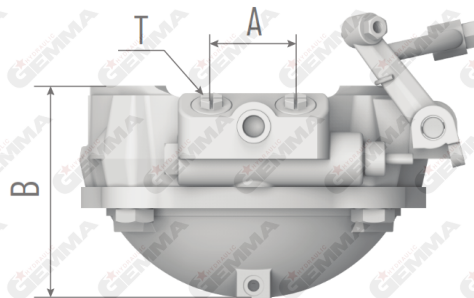
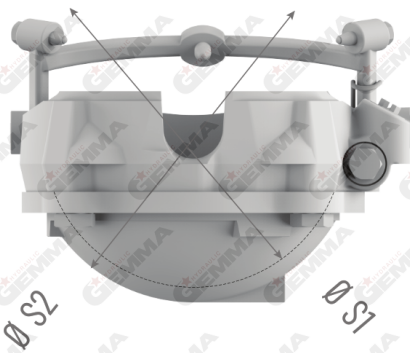
GMBC-GMPC SERIES
GMBPC-GMPC SERISI

BRACKETS
BRACKETLER

Product Code	Description	A (mm)	B (mm)	C (mm)	ØD (mm)	E (mm)	F (mm)	ØP (mm)	α (°)	Weight
GM-CRDL.118	Cradle For Telescopic Cylinder	152	28,5	107,5	45	45	230	50	60°	10,5
GM-CRDL.138	Cradle For Telescopic Cylinder	175	28	108	45	45	230	50	60°	11
GM-CRDL.163	Cradle For Telescopic Cylinder	210	46,5	157	60	60	310	60	60°	24
GM-CRDL.188	Cradle For Telescopic Cylinder	240	54	188	60	60	340	60	60°	24
GM-CRDL.218	Cradle For Telescopic Cylinder	264	53,5	206,5	60	60	365	60	60°	41
GM-CRDL.240	Cradle For Telescopic Cylinder	300	53,5	221,5	60	60	405	60	60°	45

CRADLE

GMBC SERIES - GMBPC SERIES



GMBC-GMBPC SERIES
GMBC-GMBPC SERISI

BRACKETS
BRAKETLER

Product Code	Description	A (mm)	B (mm)	S1 Ø (mm)	S2 Ø (mm)	T	Weight (Kg)
GM-CRDL.BC	Ball Cap	60	151	215	237	M22x1,5	16