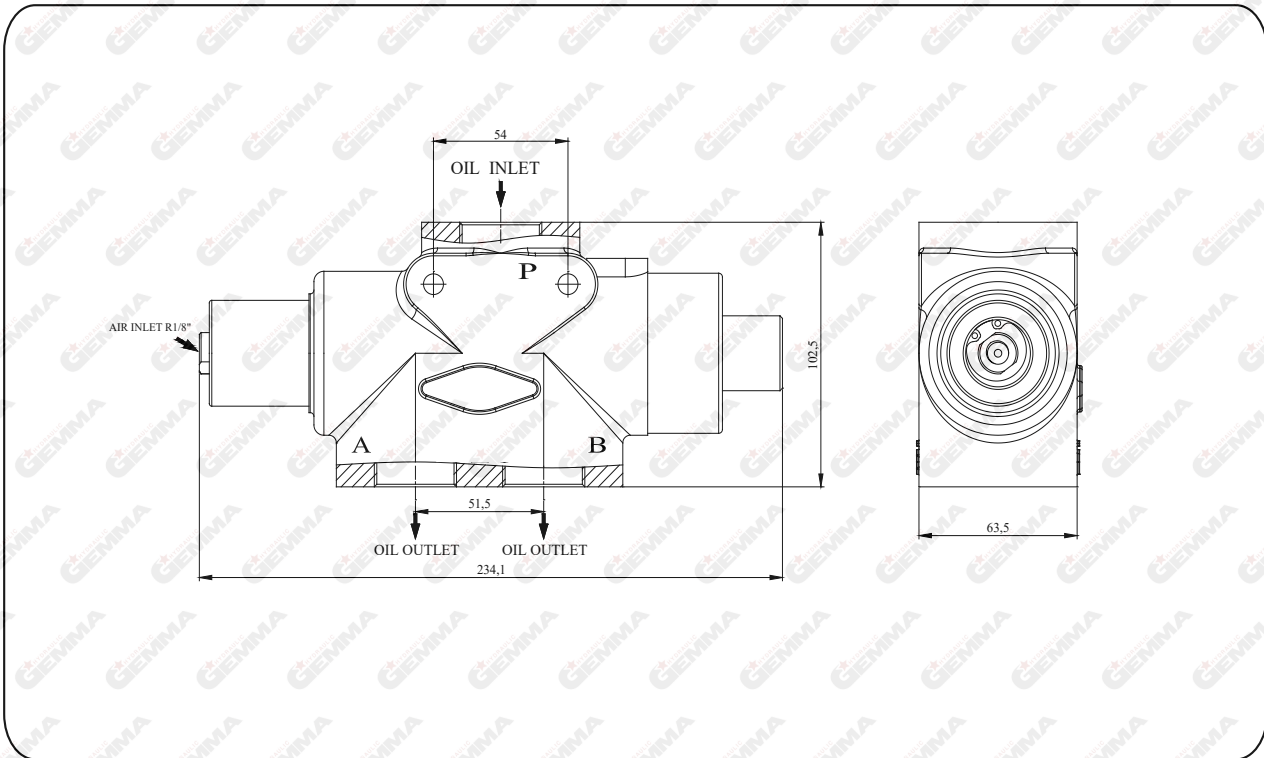
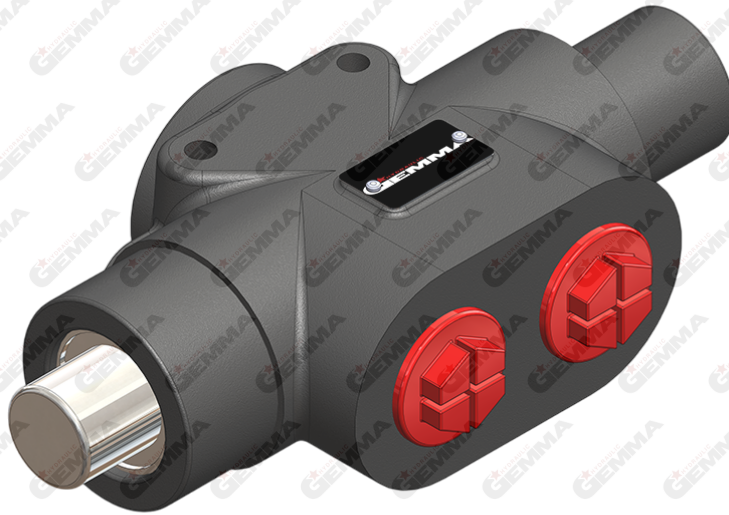


TRAILER TYPE DIRECTIONAL VALVE

36001040



VALVES
VENTİLLER

HYDRAULIC EQUIPMENT
HİDROLİK EKİPMANLAR

SPECIFICATIONS	
Pump Connection	R 1"
1. Cylinder Connection	R 1"
2. Cylinder Connection	R 1"
Max. Working Pressure	190 bar
Max. Flow	140 L/dak
Oil temperature range	-20 & 80 °C
Weight	2,5kg